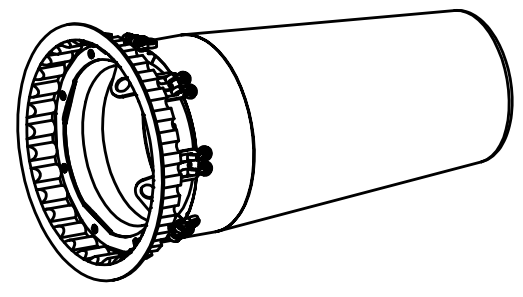
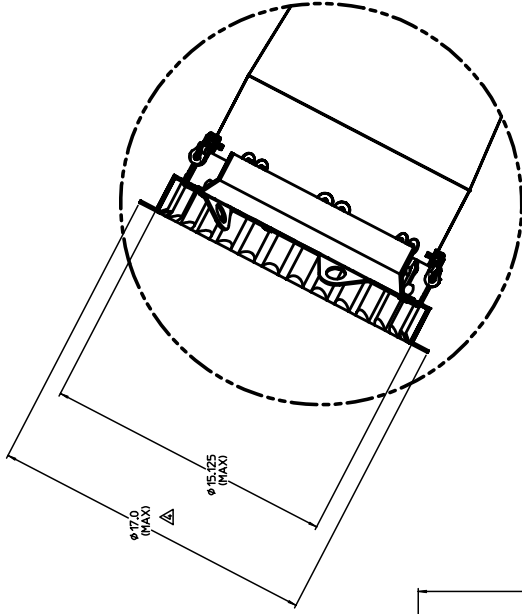
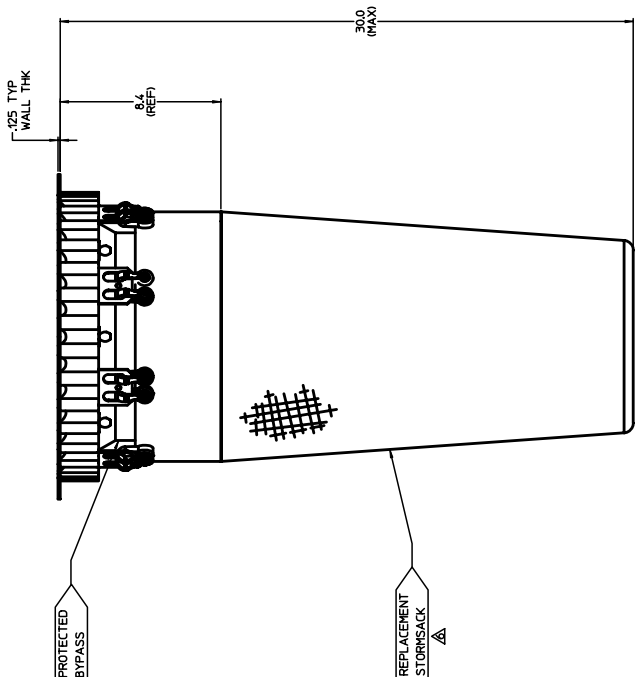
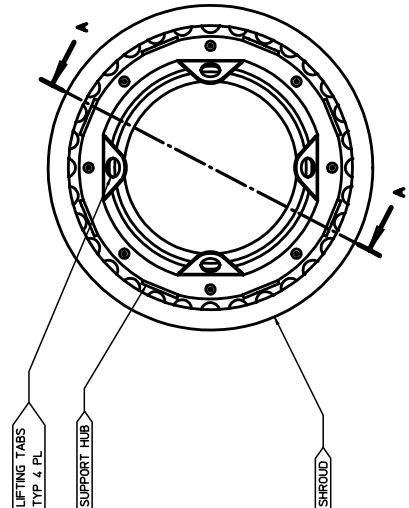


THIS DOCUMENT IS THE PROPERTY OF FABCO INDUSTRIES, INC. AND IS LOANED TO YOU FOR YOUR INFORMATION ONLY. IT IS NOT TO BE REPRODUCED OR TRANSMITTED IN ANY FORM OR BY ANY MEANS, ELECTRONIC OR MECHANICAL, INCLUDING PHOTOCOPYING, RECORDING, OR BY ANY INFORMATION STORAGE AND RETRIEVAL SYSTEM. WITHOUT THE WRITTEN CONSENT OF FABCO INDUSTRIES, INC. THIS DOCUMENT IS NOT TO BE REPRODUCED OR TO BE USED IN ANY MANNER NOT INTENDED BY FABCO INDUSTRIES, INC.

**NOTES:**

1. WEIGHT (EMPTY): 25 LB MAX
2. MATERIAL:
  - A) SHROUD: POLYETHYLENE
  - B) SUPPORT HUB: CRS POWDER COATED
  - C) STORMSACK: WOVEN POLYPROPYLENE GEOTEXTILE
  - D) HARDWARE: ALUMINUM POP-RIVETS
3. PERFORMANCE CHARACTERISTICS (TYP):
  - A) DEBRIS CAPACITY: 1.65 CU-FT
  - B) FILTERED FLOW RATE: 2.5 CFS (1440 GPM)
  - C) BYPASS FLOW RATE: 1.0 CFS (445 GPM)
- △ DESIGNED TO FIT NYLOPLAST CASTING, P/N: 1899CGS AND ALL ASSOCIATED TRANSITION PLATES.
5. TYPICAL INSTALLATION: REMOVE STORM GRATE, INSTALL CATCH-IT SHROUD DIRECTLY ON FRAME (OR TRANSITION PLATE) SUPPORT LEDGE, REINSTALL STORM GRATE.
- △ USE ONLY WITH FABCO REPLACEABLE STORMSACK, P/N: 9780-1-200



REV	DATE	DESCRIPTION	BY	CHKD
1	10/16/00	ISSUE FOR CONSTRUCTION	J. PETERS	J. PETERS
2	10/16/00	REVISED TO SHOW CATCH-IT, 18-IN (LONG)	J. PETERS	J. PETERS
3	10/16/00	REVISED TO SHOW CATCH-IT, 18-IN (LONG)	J. PETERS	J. PETERS
4	10/16/00	REVISED TO SHOW CATCH-IT, 18-IN (LONG)	J. PETERS	J. PETERS
5	10/16/00	REVISED TO SHOW CATCH-IT, 18-IN (LONG)	J. PETERS	J. PETERS
6	10/16/00	REVISED TO SHOW CATCH-IT, 18-IN (LONG)	J. PETERS	J. PETERS
7	10/16/00	REVISED TO SHOW CATCH-IT, 18-IN (LONG)	J. PETERS	J. PETERS
8	10/16/00	REVISED TO SHOW CATCH-IT, 18-IN (LONG)	J. PETERS	J. PETERS
9	10/16/00	REVISED TO SHOW CATCH-IT, 18-IN (LONG)	J. PETERS	J. PETERS
10	10/16/00	REVISED TO SHOW CATCH-IT, 18-IN (LONG)	J. PETERS	J. PETERS
11	10/16/00	REVISED TO SHOW CATCH-IT, 18-IN (LONG)	J. PETERS	J. PETERS
12	10/16/00	REVISED TO SHOW CATCH-IT, 18-IN (LONG)	J. PETERS	J. PETERS
13	10/16/00	REVISED TO SHOW CATCH-IT, 18-IN (LONG)	J. PETERS	J. PETERS
14	10/16/00	REVISED TO SHOW CATCH-IT, 18-IN (LONG)	J. PETERS	J. PETERS
15	10/16/00	REVISED TO SHOW CATCH-IT, 18-IN (LONG)	J. PETERS	J. PETERS
16	10/16/00	REVISED TO SHOW CATCH-IT, 18-IN (LONG)	J. PETERS	J. PETERS
17	10/16/00	REVISED TO SHOW CATCH-IT, 18-IN (LONG)	J. PETERS	J. PETERS
18	10/16/00	REVISED TO SHOW CATCH-IT, 18-IN (LONG)	J. PETERS	J. PETERS
19	10/16/00	REVISED TO SHOW CATCH-IT, 18-IN (LONG)	J. PETERS	J. PETERS
20	10/16/00	REVISED TO SHOW CATCH-IT, 18-IN (LONG)	J. PETERS	J. PETERS
21	10/16/00	REVISED TO SHOW CATCH-IT, 18-IN (LONG)	J. PETERS	J. PETERS
22	10/16/00	REVISED TO SHOW CATCH-IT, 18-IN (LONG)	J. PETERS	J. PETERS
23	10/16/00	REVISED TO SHOW CATCH-IT, 18-IN (LONG)	J. PETERS	J. PETERS
24	10/16/00	REVISED TO SHOW CATCH-IT, 18-IN (LONG)	J. PETERS	J. PETERS
25	10/16/00	REVISED TO SHOW CATCH-IT, 18-IN (LONG)	J. PETERS	J. PETERS
26	10/16/00	REVISED TO SHOW CATCH-IT, 18-IN (LONG)	J. PETERS	J. PETERS
27	10/16/00	REVISED TO SHOW CATCH-IT, 18-IN (LONG)	J. PETERS	J. PETERS
28	10/16/00	REVISED TO SHOW CATCH-IT, 18-IN (LONG)	J. PETERS	J. PETERS
29	10/16/00	REVISED TO SHOW CATCH-IT, 18-IN (LONG)	J. PETERS	J. PETERS
30	10/16/00	REVISED TO SHOW CATCH-IT, 18-IN (LONG)	J. PETERS	J. PETERS
31	10/16/00	REVISED TO SHOW CATCH-IT, 18-IN (LONG)	J. PETERS	J. PETERS
32	10/16/00	REVISED TO SHOW CATCH-IT, 18-IN (LONG)	J. PETERS	J. PETERS
33	10/16/00	REVISED TO SHOW CATCH-IT, 18-IN (LONG)	J. PETERS	J. PETERS
34	10/16/00	REVISED TO SHOW CATCH-IT, 18-IN (LONG)	J. PETERS	J. PETERS
35	10/16/00	REVISED TO SHOW CATCH-IT, 18-IN (LONG)	J. PETERS	J. PETERS
36	10/16/00	REVISED TO SHOW CATCH-IT, 18-IN (LONG)	J. PETERS	J. PETERS
37	10/16/00	REVISED TO SHOW CATCH-IT, 18-IN (LONG)	J. PETERS	J. PETERS
38	10/16/00	REVISED TO SHOW CATCH-IT, 18-IN (LONG)	J. PETERS	J. PETERS
39	10/16/00	REVISED TO SHOW CATCH-IT, 18-IN (LONG)	J. PETERS	J. PETERS
40	10/16/00	REVISED TO SHOW CATCH-IT, 18-IN (LONG)	J. PETERS	J. PETERS
41	10/16/00	REVISED TO SHOW CATCH-IT, 18-IN (LONG)	J. PETERS	J. PETERS
42	10/16/00	REVISED TO SHOW CATCH-IT, 18-IN (LONG)	J. PETERS	J. PETERS
43	10/16/00	REVISED TO SHOW CATCH-IT, 18-IN (LONG)	J. PETERS	J. PETERS
44	10/16/00	REVISED TO SHOW CATCH-IT, 18-IN (LONG)	J. PETERS	J. PETERS
45	10/16/00	REVISED TO SHOW CATCH-IT, 18-IN (LONG)	J. PETERS	J. PETERS
46	10/16/00	REVISED TO SHOW CATCH-IT, 18-IN (LONG)	J. PETERS	J. PETERS
47	10/16/00	REVISED TO SHOW CATCH-IT, 18-IN (LONG)	J. PETERS	J. PETERS
48	10/16/00	REVISED TO SHOW CATCH-IT, 18-IN (LONG)	J. PETERS	J. PETERS
49	10/16/00	REVISED TO SHOW CATCH-IT, 18-IN (LONG)	J. PETERS	J. PETERS
50	10/16/00	REVISED TO SHOW CATCH-IT, 18-IN (LONG)	J. PETERS	J. PETERS
51	10/16/00	REVISED TO SHOW CATCH-IT, 18-IN (LONG)	J. PETERS	J. PETERS
52	10/16/00	REVISED TO SHOW CATCH-IT, 18-IN (LONG)	J. PETERS	J. PETERS
53	10/16/00	REVISED TO SHOW CATCH-IT, 18-IN (LONG)	J. PETERS	J. PETERS
54	10/16/00	REVISED TO SHOW CATCH-IT, 18-IN (LONG)	J. PETERS	J. PETERS
55	10/16/00	REVISED TO SHOW CATCH-IT, 18-IN (LONG)	J. PETERS	J. PETERS
56	10/16/00	REVISED TO SHOW CATCH-IT, 18-IN (LONG)	J. PETERS	J. PETERS
57	10/16/00	REVISED TO SHOW CATCH-IT, 18-IN (LONG)	J. PETERS	J. PETERS
58	10/16/00	REVISED TO SHOW CATCH-IT, 18-IN (LONG)	J. PETERS	J. PETERS
59	10/16/00	REVISED TO SHOW CATCH-IT, 18-IN (LONG)	J. PETERS	J. PETERS
60	10/16/00	REVISED TO SHOW CATCH-IT, 18-IN (LONG)	J. PETERS	J. PETERS
61	10/16/00	REVISED TO SHOW CATCH-IT, 18-IN (LONG)	J. PETERS	J. PETERS
62	10/16/00	REVISED TO SHOW CATCH-IT, 18-IN (LONG)	J. PETERS	J. PETERS
63	10/16/00	REVISED TO SHOW CATCH-IT, 18-IN (LONG)	J. PETERS	J. PETERS
64	10/16/00	REVISED TO SHOW CATCH-IT, 18-IN (LONG)	J. PETERS	J. PETERS
65	10/16/00	REVISED TO SHOW CATCH-IT, 18-IN (LONG)	J. PETERS	J. PETERS
66	10/16/00	REVISED TO SHOW CATCH-IT, 18-IN (LONG)	J. PETERS	J. PETERS
67	10/16/00	REVISED TO SHOW CATCH-IT, 18-IN (LONG)	J. PETERS	J. PETERS
68	10/16/00	REVISED TO SHOW CATCH-IT, 18-IN (LONG)	J. PETERS	J. PETERS
69	10/16/00	REVISED TO SHOW CATCH-IT, 18-IN (LONG)	J. PETERS	J. PETERS
70	10/16/00	REVISED TO SHOW CATCH-IT, 18-IN (LONG)	J. PETERS	J. PETERS
71	10/16/00	REVISED TO SHOW CATCH-IT, 18-IN (LONG)	J. PETERS	J. PETERS
72	10/16/00	REVISED TO SHOW CATCH-IT, 18-IN (LONG)	J. PETERS	J. PETERS
73	10/16/00	REVISED TO SHOW CATCH-IT, 18-IN (LONG)	J. PETERS	J. PETERS
74	10/16/00	REVISED TO SHOW CATCH-IT, 18-IN (LONG)	J. PETERS	J. PETERS
75	10/16/00	REVISED TO SHOW CATCH-IT, 18-IN (LONG)	J. PETERS	J. PETERS
76	10/16/00	REVISED TO SHOW CATCH-IT, 18-IN (LONG)	J. PETERS	J. PETERS
77	10/16/00	REVISED TO SHOW CATCH-IT, 18-IN (LONG)	J. PETERS	J. PETERS
78	10/16/00	REVISED TO SHOW CATCH-IT, 18-IN (LONG)	J. PETERS	J. PETERS
79	10/16/00	REVISED TO SHOW CATCH-IT, 18-IN (LONG)	J. PETERS	J. PETERS
80	10/16/00	REVISED TO SHOW CATCH-IT, 18-IN (LONG)	J. PETERS	J. PETERS
81	10/16/00	REVISED TO SHOW CATCH-IT, 18-IN (LONG)	J. PETERS	J. PETERS
82	10/16/00	REVISED TO SHOW CATCH-IT, 18-IN (LONG)	J. PETERS	J. PETERS
83	10/16/00	REVISED TO SHOW CATCH-IT, 18-IN (LONG)	J. PETERS	J. PETERS
84	10/16/00	REVISED TO SHOW CATCH-IT, 18-IN (LONG)	J. PETERS	J. PETERS
85	10/16/00	REVISED TO SHOW CATCH-IT, 18-IN (LONG)	J. PETERS	J. PETERS
86	10/16/00	REVISED TO SHOW CATCH-IT, 18-IN (LONG)	J. PETERS	J. PETERS
87	10/16/00	REVISED TO SHOW CATCH-IT, 18-IN (LONG)	J. PETERS	J. PETERS
88	10/16/00	REVISED TO SHOW CATCH-IT, 18-IN (LONG)	J. PETERS	J. PETERS
89	10/16/00	REVISED TO SHOW CATCH-IT, 18-IN (LONG)	J. PETERS	J. PETERS
90	10/16/00	REVISED TO SHOW CATCH-IT, 18-IN (LONG)	J. PETERS	J. PETERS
91	10/16/00	REVISED TO SHOW CATCH-IT, 18-IN (LONG)	J. PETERS	J. PETERS
92	10/16/00	REVISED TO SHOW CATCH-IT, 18-IN (LONG)	J. PETERS	J. PETERS
93	10/16/00	REVISED TO SHOW CATCH-IT, 18-IN (LONG)	J. PETERS	J. PETERS
94	10/16/00	REVISED TO SHOW CATCH-IT, 18-IN (LONG)	J. PETERS	J. PETERS
95	10/16/00	REVISED TO SHOW CATCH-IT, 18-IN (LONG)	J. PETERS	J. PETERS
96	10/16/00	REVISED TO SHOW CATCH-IT, 18-IN (LONG)	J. PETERS	J. PETERS
97	10/16/00	REVISED TO SHOW CATCH-IT, 18-IN (LONG)	J. PETERS	J. PETERS
98	10/16/00	REVISED TO SHOW CATCH-IT, 18-IN (LONG)	J. PETERS	J. PETERS
99	10/16/00	REVISED TO SHOW CATCH-IT, 18-IN (LONG)	J. PETERS	J. PETERS
100	10/16/00	REVISED TO SHOW CATCH-IT, 18-IN (LONG)	J. PETERS	J. PETERS



CATCH-IT, 18-IN (LONG)

9780-1-000

9780-1-001.3

9780-1-001.3

9780-1-001.3

9780-1-001.3

9780-1-001.3

9780-1-001.3

9780-1-001.3

9780-1-001.3

9780-1-001.3

9780-1-001.3

9780-1-001.3

9780-1-001.3

9780-1-001.3

9780-1-001.3

9780-1-001.3

9780-1-001.3

9780-1-001.3

9780-1-001.3

9780-1-001.3

9780-1-001.3

9780-1-001.3

9780-1-001.3

9780-1-001.3

9780-1-001.3

9780-1-001.3

9780-1-001.3

9780-1-001.3

9780-1-001.3

9780-1-001.3

9780-1-001.3