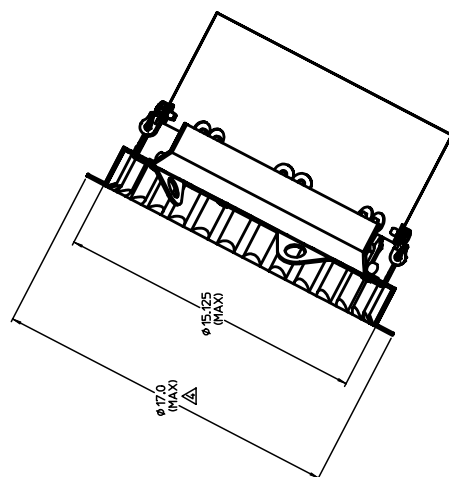
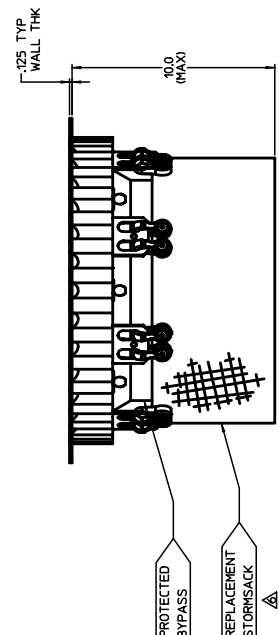
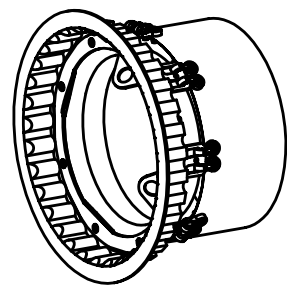
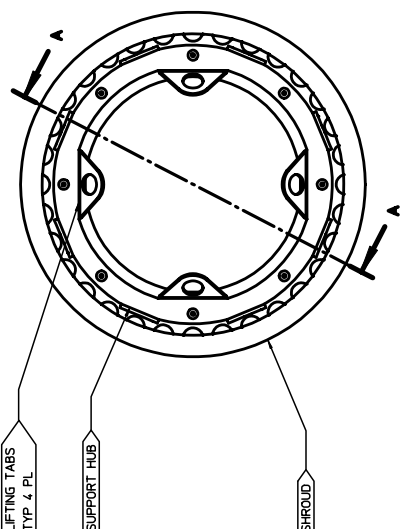


THIS DRAWING IS THE PROPERTY OF FABCO INDUSTRIES, INC. AND IS TO BE USED ONLY FOR THE PROJECT AND SITE SPECIFICALLY IDENTIFIED HEREIN. IT IS TO BE KEPT IN CONFIDENCE AND NOT REPRODUCED OR TRANSMITTED IN ANY FORM OR BY ANY MEANS, ELECTRONIC OR MECHANICAL, INCLUDING PHOTOCOPYING, RECORDING, OR BY ANY INFORMATION STORAGE AND RETRIEVAL SYSTEM, WITHOUT THE EXPRESS WRITTEN PERMISSION OF FABCO INDUSTRIES, INC. ANY UNAUTHORIZED USE OF THIS DRAWING IS PROHIBITED AND WILL BE PROSECUTED TO THE FULL EXTENT OF THE LAW.

NOTES:

1. WEIGHT (EMPTY): 25 LB MAX
2. MATERIAL:
 - A) SHROUD: POLYETHYLENE
 - B) SUPPORT HUB: CRS POWDER COATED
 - C) STORMSACK: WOVEN POLYPROPYLENE GEOTEXTILE
 - D) HARDWARE: ALUMINUM POP-RIVETS
3. PERFORMANCE CHARACTERISTICS (TYP):
 - A) DEBRIS CAPACITY: 47 CU-FT
 - B) FILTERED FLOW RATE: 12 CFS (630 GPM)
 - C) BYPASS FLOW RATE: 1.0 CFS (445 GPM)
- ▲ DESIGNED TO FIT NYLOPLAST CASTING, P/N: 1899CGS AND ALL ASSOCIATED TRANSITION PLATES.
5. TYPICAL INSTALLATION: REMOVE STORM GRATE, INSTALL CATCH-TIT SHROUD DIRECTLY ON FRAME (OR TRANSITION PLATE) SUPPORT LEDGE, REINSTALL STORM GRATE.
- ▲ USE ONLY WITH FABCO REPLACEABLE STORMSACK, P/N: 9780-IS-002



REV	DESCRIPTION	DATE	APPROVED
B	ED9780-IS-008	12/04/06	

REV	DESCRIPTION	DATE	APPROVED
D	9780-IS-000	12/04/06	

NO	QTY	PART NUMBER	DESCRIPTION
		9780-1-ASSY3	CATCH-TIT, 18-IN (SHORT)

DESIGNED BY	10/24/06	DATE	10/24/06
DRAWN BY	J. PETERS	DATE	10/24/06
CHECKED BY	J. PETERS	DATE	10/24/06
APPROVED BY	J. PETERS	DATE	10/24/06
DO NOT SCALE THIS DRAWING			

FABCO INDUSTRIES, INC.	50 MILLER PLACE	BOCHEHA NY 11716
9780-1-ASSY3		