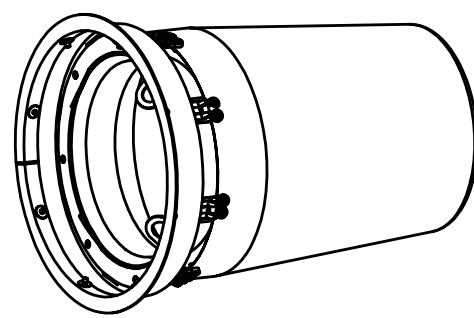
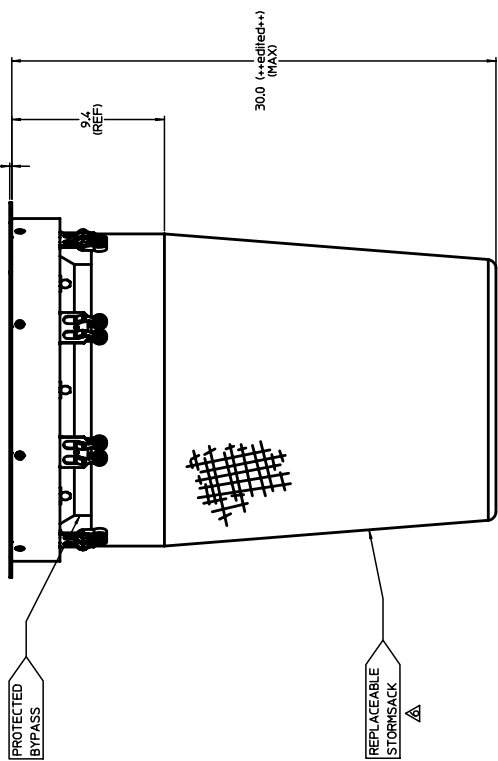
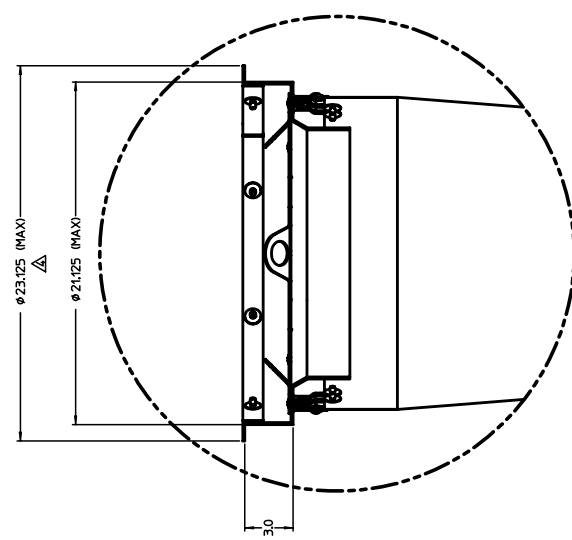
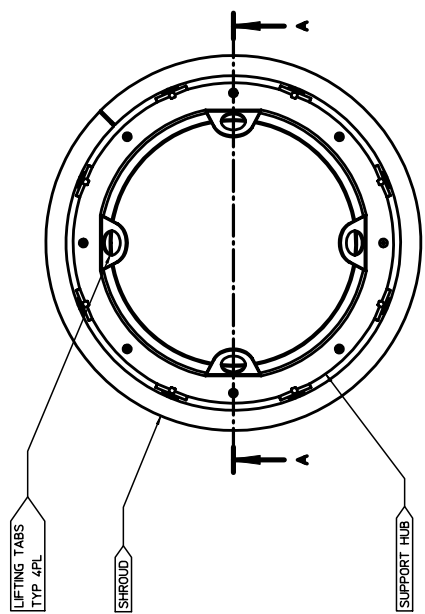


THIS DRAWING IS THE PROPERTY OF FABCO INDUSTRIES, INC. AND IS TO BE KEPT IN CONFIDENTIALITY. IT IS TO BE USED ONLY FOR THE PROJECT AND SITE SPECIFICALLY IDENTIFIED HEREIN. IT IS TO BE RETURNED TO FABCO INDUSTRIES, INC. IMMEDIATELY UPON COMPLETION OF THE PROJECT. NO PART OF THIS DRAWING IS TO BE REPRODUCED OR TRANSMITTED IN ANY FORM OR BY ANY MEANS, ELECTRONIC OR MECHANICAL, INCLUDING PHOTOCOPYING, RECORDING, OR BY ANY INFORMATION STORAGE AND RETRIEVAL SYSTEM, WITHOUT THE EXPRESS WRITTEN PERMISSION OF FABCO INDUSTRIES, INC. FOR ANY PURPOSES OTHER THAN THE EXPRESS PURPOSES SET FORTH IN THIS DRAWING. FABCO INDUSTRIES, INC. SHALL NOT BE RESPONSIBLE FOR ANY DAMAGE TO PERSONS OR PROPERTY CAUSED BY THE USE OF THIS DRAWING IN ANY MANNER OTHER THAN THAT INTENDED BY FABCO INDUSTRIES, INC. IN SAID DOCUMENT.

DATE: 07/10/06  
 DRAWN BY: C  
 CHECKED BY: C  
 PART NUMBER: ED9780-2-000

**NOTES:**

1. WEIGHT (EMPTY): 25 LB MAX
2. MATERIAL:
  - A) SHROUD: POLYETHYLENE
  - B) SUPPORT HUB: CRS POWDER COATED
  - C) STORMSACK: WOVEN POLYPROPYLENE GEOTEXTILE
  - D) HARDWARE: ALUMINUM POP-RIVETS
3. PERFORMANCE CHARACTERISTICS (TYP):
  - A) DEBRIS CAPACITY: 3.6 CU-FT
  - B) FILTERED FLOW RATE: 4.9 CFS (2217 GPM)
  - C) BYPASS FLOW RATE: 2.4 CFS (1059 GPM)
- △ DESIGNED TO FIT NYLOPLAST CASTING, P/N: 2499CGS AND ALL ASSOCIATED TRANSITION PLATES.
5. TYPICAL INSTALLATION: REMOVE STORM GRATE. INSTALL CATCH-IT SHROUD DIRECTLY ON FRAME (OR TRANSITION PLATE) SUPPORT LEDGE. REINSTALL STORM GRATE.
- △ USE ONLY WITH FABCO REPLACEABLE STORMSACK, P/N: 9780-2-200



**SECTION A-A**

REV	QTY	PART NUMBER	DESCRIPTION	DATE
1	1	9780-2-000	ALL OF MATERIALS	07/10/06
2	1	9780-2-000	ALL OF MATERIALS	07/10/06
3	1	9780-2-000	ALL OF MATERIALS	07/10/06
4	1	9780-2-000	ALL OF MATERIALS	07/10/06
5	1	9780-2-000	ALL OF MATERIALS	07/10/06
6	1	9780-2-000	ALL OF MATERIALS	07/10/06
7	1	9780-2-000	ALL OF MATERIALS	07/10/06
8	1	9780-2-000	ALL OF MATERIALS	07/10/06
9	1	9780-2-000	ALL OF MATERIALS	07/10/06
10	1	9780-2-000	ALL OF MATERIALS	07/10/06
11	1	9780-2-000	ALL OF MATERIALS	07/10/06
12	1	9780-2-000	ALL OF MATERIALS	07/10/06
13	1	9780-2-000	ALL OF MATERIALS	07/10/06
14	1	9780-2-000	ALL OF MATERIALS	07/10/06
15	1	9780-2-000	ALL OF MATERIALS	07/10/06
16	1	9780-2-000	ALL OF MATERIALS	07/10/06
17	1	9780-2-000	ALL OF MATERIALS	07/10/06
18	1	9780-2-000	ALL OF MATERIALS	07/10/06
19	1	9780-2-000	ALL OF MATERIALS	07/10/06
20	1	9780-2-000	ALL OF MATERIALS	07/10/06
21	1	9780-2-000	ALL OF MATERIALS	07/10/06
22	1	9780-2-000	ALL OF MATERIALS	07/10/06
23	1	9780-2-000	ALL OF MATERIALS	07/10/06
24	1	9780-2-000	ALL OF MATERIALS	07/10/06
25	1	9780-2-000	ALL OF MATERIALS	07/10/06
26	1	9780-2-000	ALL OF MATERIALS	07/10/06
27	1	9780-2-000	ALL OF MATERIALS	07/10/06
28	1	9780-2-000	ALL OF MATERIALS	07/10/06
29	1	9780-2-000	ALL OF MATERIALS	07/10/06
30	1	9780-2-000	ALL OF MATERIALS	07/10/06
31	1	9780-2-000	ALL OF MATERIALS	07/10/06
32	1	9780-2-000	ALL OF MATERIALS	07/10/06
33	1	9780-2-000	ALL OF MATERIALS	07/10/06
34	1	9780-2-000	ALL OF MATERIALS	07/10/06
35	1	9780-2-000	ALL OF MATERIALS	07/10/06
36	1	9780-2-000	ALL OF MATERIALS	07/10/06
37	1	9780-2-000	ALL OF MATERIALS	07/10/06
38	1	9780-2-000	ALL OF MATERIALS	07/10/06
39	1	9780-2-000	ALL OF MATERIALS	07/10/06
40	1	9780-2-000	ALL OF MATERIALS	07/10/06
41	1	9780-2-000	ALL OF MATERIALS	07/10/06
42	1	9780-2-000	ALL OF MATERIALS	07/10/06
43	1	9780-2-000	ALL OF MATERIALS	07/10/06
44	1	9780-2-000	ALL OF MATERIALS	07/10/06
45	1	9780-2-000	ALL OF MATERIALS	07/10/06
46	1	9780-2-000	ALL OF MATERIALS	07/10/06
47	1	9780-2-000	ALL OF MATERIALS	07/10/06
48	1	9780-2-000	ALL OF MATERIALS	07/10/06
49	1	9780-2-000	ALL OF MATERIALS	07/10/06
50	1	9780-2-000	ALL OF MATERIALS	07/10/06
51	1	9780-2-000	ALL OF MATERIALS	07/10/06
52	1	9780-2-000	ALL OF MATERIALS	07/10/06
53	1	9780-2-000	ALL OF MATERIALS	07/10/06
54	1	9780-2-000	ALL OF MATERIALS	07/10/06
55	1	9780-2-000	ALL OF MATERIALS	07/10/06
56	1	9780-2-000	ALL OF MATERIALS	07/10/06
57	1	9780-2-000	ALL OF MATERIALS	07/10/06
58	1	9780-2-000	ALL OF MATERIALS	07/10/06
59	1	9780-2-000	ALL OF MATERIALS	07/10/06
60	1	9780-2-000	ALL OF MATERIALS	07/10/06
61	1	9780-2-000	ALL OF MATERIALS	07/10/06
62	1	9780-2-000	ALL OF MATERIALS	07/10/06
63	1	9780-2-000	ALL OF MATERIALS	07/10/06
64	1	9780-2-000	ALL OF MATERIALS	07/10/06
65	1	9780-2-000	ALL OF MATERIALS	07/10/06
66	1	9780-2-000	ALL OF MATERIALS	07/10/06
67	1	9780-2-000	ALL OF MATERIALS	07/10/06
68	1	9780-2-000	ALL OF MATERIALS	07/10/06
69	1	9780-2-000	ALL OF MATERIALS	07/10/06
70	1	9780-2-000	ALL OF MATERIALS	07/10/06
71	1	9780-2-000	ALL OF MATERIALS	07/10/06
72	1	9780-2-000	ALL OF MATERIALS	07/10/06
73	1	9780-2-000	ALL OF MATERIALS	07/10/06
74	1	9780-2-000	ALL OF MATERIALS	07/10/06
75	1	9780-2-000	ALL OF MATERIALS	07/10/06
76	1	9780-2-000	ALL OF MATERIALS	07/10/06
77	1	9780-2-000	ALL OF MATERIALS	07/10/06
78	1	9780-2-000	ALL OF MATERIALS	07/10/06
79	1	9780-2-000	ALL OF MATERIALS	07/10/06
80	1	9780-2-000	ALL OF MATERIALS	07/10/06
81	1	9780-2-000	ALL OF MATERIALS	07/10/06
82	1	9780-2-000	ALL OF MATERIALS	07/10/06
83	1	9780-2-000	ALL OF MATERIALS	07/10/06
84	1	9780-2-000	ALL OF MATERIALS	07/10/06
85	1	9780-2-000	ALL OF MATERIALS	07/10/06
86	1	9780-2-000	ALL OF MATERIALS	07/10/06
87	1	9780-2-000	ALL OF MATERIALS	07/10/06
88	1	9780-2-000	ALL OF MATERIALS	07/10/06
89	1	9780-2-000	ALL OF MATERIALS	07/10/06
90	1	9780-2-000	ALL OF MATERIALS	07/10/06
91	1	9780-2-000	ALL OF MATERIALS	07/10/06
92	1	9780-2-000	ALL OF MATERIALS	07/10/06
93	1	9780-2-000	ALL OF MATERIALS	07/10/06
94	1	9780-2-000	ALL OF MATERIALS	07/10/06
95	1	9780-2-000	ALL OF MATERIALS	07/10/06
96	1	9780-2-000	ALL OF MATERIALS	07/10/06
97	1	9780-2-000	ALL OF MATERIALS	07/10/06
98	1	9780-2-000	ALL OF MATERIALS	07/10/06
99	1	9780-2-000	ALL OF MATERIALS	07/10/06
100	1	9780-2-000	ALL OF MATERIALS	07/10/06



CATCH-IT, 24-IN (LONG)

REV	QTY	PART NUMBER	DESCRIPTION	DATE
1	1	9780-2-000	ALL OF MATERIALS	07/10/06
2	1	9780-2-000	ALL OF MATERIALS	07/10/06
3	1	9780-2-000	ALL OF MATERIALS	07/10/06
4	1	9780-2-000	ALL OF MATERIALS	07/10/06
5	1	9780-2-000	ALL OF MATERIALS	07/10/06
6	1	9780-2-000	ALL OF MATERIALS	07/10/06
7	1	9780-2-000	ALL OF MATERIALS	07/10/06
8	1	9780-2-000	ALL OF MATERIALS	07/10/06
9	1	9780-2-000	ALL OF MATERIALS	07/10/06
10	1	9780-2-000	ALL OF MATERIALS	07/10/06
11	1	9780-2-000	ALL OF MATERIALS	07/10/06
12	1	9780-2-000	ALL OF MATERIALS	07/10/06
13	1	9780-2-000	ALL OF MATERIALS	07/10/06
14	1	9780-2-000	ALL OF MATERIALS	07/10/06
15	1	9780-2-000	ALL OF MATERIALS	07/10/06
16	1	9780-2-000	ALL OF MATERIALS	07/10/06
17	1	9780-2-000	ALL OF MATERIALS	07/10/06
18	1	9780-2-000	ALL OF MATERIALS	07/10/06
19	1	9780-2-000	ALL OF MATERIALS	07/10/06
20	1	9780-2-000	ALL OF MATERIALS	07/10/06
21	1	9780-2-000	ALL OF MATERIALS	07/10/06
22	1	9780-2-000	ALL OF MATERIALS	07/10/06
23	1	9780-2-000	ALL OF MATERIALS	07/10/06
24	1	9780-2-000	ALL OF MATERIALS	07/10/06
25	1	9780-2-000	ALL OF MATERIALS	07/10/06
26	1	9780-2-000	ALL OF MATERIALS	07/10/06
27	1	9780-2-000	ALL OF MATERIALS	07/10/06
28	1	9780-2-000	ALL OF MATERIALS	07/10/06
29	1	9780-2-000	ALL OF MATERIALS	07/10/06
30	1	9780-2-000	ALL OF MATERIALS	07/10/06
31	1	9780-2-000	ALL OF MATERIALS	07/10/06
32	1	9780-2-000	ALL OF MATERIALS	07/10/06
33	1	9780-2-000	ALL OF MATERIALS	07/10/06
34	1	9780-2-000	ALL OF MATERIALS	07/10/06
35	1	9780-2-000	ALL OF MATERIALS	07/10/06
36	1	9780-2-000	ALL OF MATERIALS	07/10/06
37	1	9780-2-000	ALL OF MATERIALS	07/10/06
38	1	9780-2-000	ALL OF MATERIALS	07/10/06
39	1	9780-2-000	ALL OF MATERIALS	07/10/06
40	1	9780-2-000	ALL OF MATERIALS	07/10/06
41	1	9780-2-000	ALL OF MATERIALS	07/10/06
42	1	9780-2-000	ALL OF MATERIALS	07/10/06
43	1	9780-2-000	ALL OF MATERIALS	07/10/06
44	1	9780-2-000	ALL OF MATERIALS	07/10/06
45	1	9780-2-000	ALL OF MATERIALS	07/10/06
46	1	9780-2-000	ALL OF MATERIALS	07/10/06
47	1	9780-2-000	ALL OF MATERIALS	07/10/06
48	1	9780-2-000	ALL OF MATERIALS	07/10/06
49	1	9780-2-000	ALL OF MATERIALS	07/10/06
50	1	9780-2-000	ALL OF MATERIALS	07/10/06
51	1	9780-2-000	ALL OF MATERIALS	07/10/06
52	1	9780-2-000	ALL OF MATERIALS	07/10/06
53	1	9780-2-000	ALL OF MATERIALS	07/10/06
54	1	9780-2-000	ALL OF MATERIALS	07/10/06
55	1	9780-2-000	ALL OF MATERIALS	07/10/06
56	1	9780-2-000	ALL OF MATERIALS	07/10/06
57	1	9780-2-000	ALL OF MATERIALS	07/10/06
58	1	9780-2-000	ALL OF MATERIALS	07/10/06
59	1	9780-2-000	ALL OF MATERIALS	07/10/06
60	1	9780-2-000	ALL OF MATERIALS	07/10/06
61	1	9780-2-000	ALL OF MATERIALS	07/10/06
62	1	9780-2-000	ALL OF MATERIALS	07/10/06
63	1	9780-2-000	ALL OF MATERIALS	07/10/06
64	1	9780-2-000	ALL OF MATERIALS	07/10/06
65	1	9780-2-000	ALL OF MATERIALS	07/10/06
66	1	9780-2-000	ALL OF MATERIALS	07/10/06
67	1	9780-2-000	ALL OF MATERIALS	07/10/06
68	1	9780-2-000	ALL OF MATERIALS	07/10/06
69	1	9780-2-000	ALL OF MATERIALS	07/10/06
70	1	9780-2-000	ALL OF MATERIALS	07/10/06
71	1	9780-2-000	ALL OF MATERIALS	07/10/06
72	1	9780-2-000	ALL OF MATERIALS	07/10/06
73	1	9780-2-000	ALL OF MATERIALS	07/10/06
74	1	9780-2-000	ALL OF MATERIALS	07/10/06
75	1	9780-2-000	ALL OF MATERIALS	07/10/06
76	1	9780-2-000	ALL OF MATERIALS	07/10/06
77	1	9780-2-000		