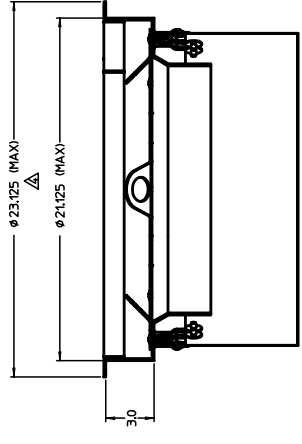
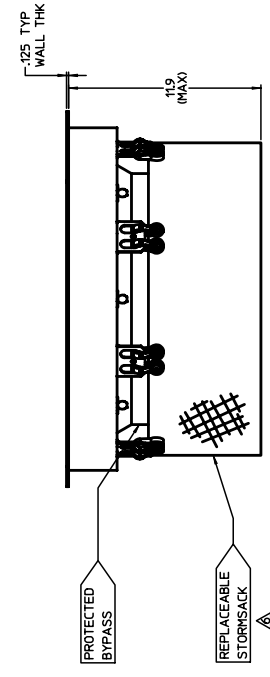
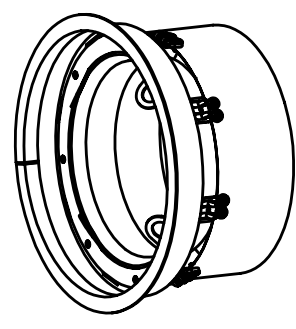
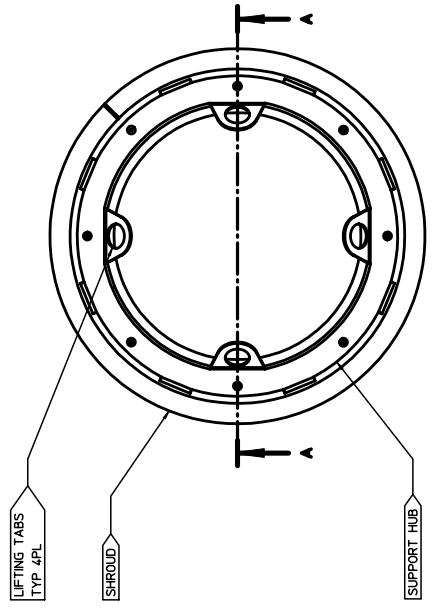


THIS DRAWING IS THE PROPERTY OF FABCO INDUSTRIES, INC. AND IS TO BE KEPT IN CONFIDENTIALITY. IT IS TO BE USED ONLY FOR THE PROJECT AND SITE SPECIFICALLY IDENTIFIED HEREIN. IT IS TO BE RETURNED TO FABCO INDUSTRIES, INC. UPON COMPLETION OF THE PROJECT. NO PART OF THIS DRAWING IS TO BE REPRODUCED OR TRANSMITTED IN ANY FORM OR BY ANY MEANS, ELECTRONIC OR MECHANICAL, INCLUDING PHOTOCOPYING, RECORDING, OR BY ANY INFORMATION STORAGE AND RETRIEVAL SYSTEM, WITHOUT THE EXPRESS WRITTEN PERMISSION OF FABCO INDUSTRIES, INC. FABCO INDUSTRIES, INC. IS NOT RESPONSIBLE FOR ANY ERRORS OR OMISSIONS IN THIS DRAWING. FABCO INDUSTRIES, INC. IS NOT RESPONSIBLE FOR ANY DAMAGE TO PERSONS OR PROPERTY CAUSED BY THE USE OF THIS DRAWING. FABCO INDUSTRIES, INC. IS NOT RESPONSIBLE FOR ANY DAMAGE TO PERSONS OR PROPERTY CAUSED BY THE USE OF THIS DRAWING.

NOTES:

1. WEIGHT (EMPTY): 25 LB MAX
2. MATERIAL:
 - A) SHROUD: POLYETHYLENE
 - B) SUPPORT HUB: CRS POWDER COATED
 - C) STORMSACK: WOVEN POLYPROPYLENE GEOTEXTILE
 - D) HARDWARE: ALUMINUM POP-RIVETS
3. PERFORMANCE CHARACTERISTICS (TYP):
 - A) DEBRIS CAPACITY: 1/5 CU-FT
 - B) FILTERED FLOW RATE: 2.2 CFS (984 GPM)
 - C) BYPASS FLOW RATE: 2.4 CFS (1059 GPM)
4. DESIGNED TO FIT NYLOPLAST CASTING; P/N: 2499CGS AND ALL ASSOCIATED TRANSITION PLATES.
5. TYPICAL INSTALLATION: REMOVE STORM GRATE, INSTALL CATCH-IT SHROUD DIRECTLY ON FRAME (OR TRANSITION PLATE) SUPPORT LEDGE, REINSTALL STORM GRATE.
6. USE ONLY WITH FABCO REPLACEABLE STORMSACK, P/N: 9780-2S-200



SECTION A-A

REV	DATE	APPROVED
D	ED9780-2S-000	7/26/06

REV	DATE	APPROVED
D	ED9780-2S-000	7/26/06

REV	DATE	APPROVED
D	ED9780-2S-000	7/26/06

REV	DATE	APPROVED
D	ED9780-2S-000	7/26/06



CATCH-IT, 24-IN (SHORT)

REV	DATE	APPROVED
D	ED9780-2S-000	7/26/06