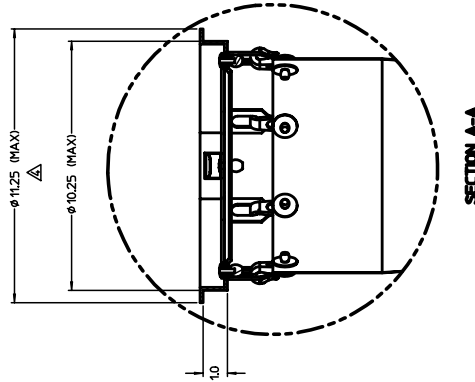
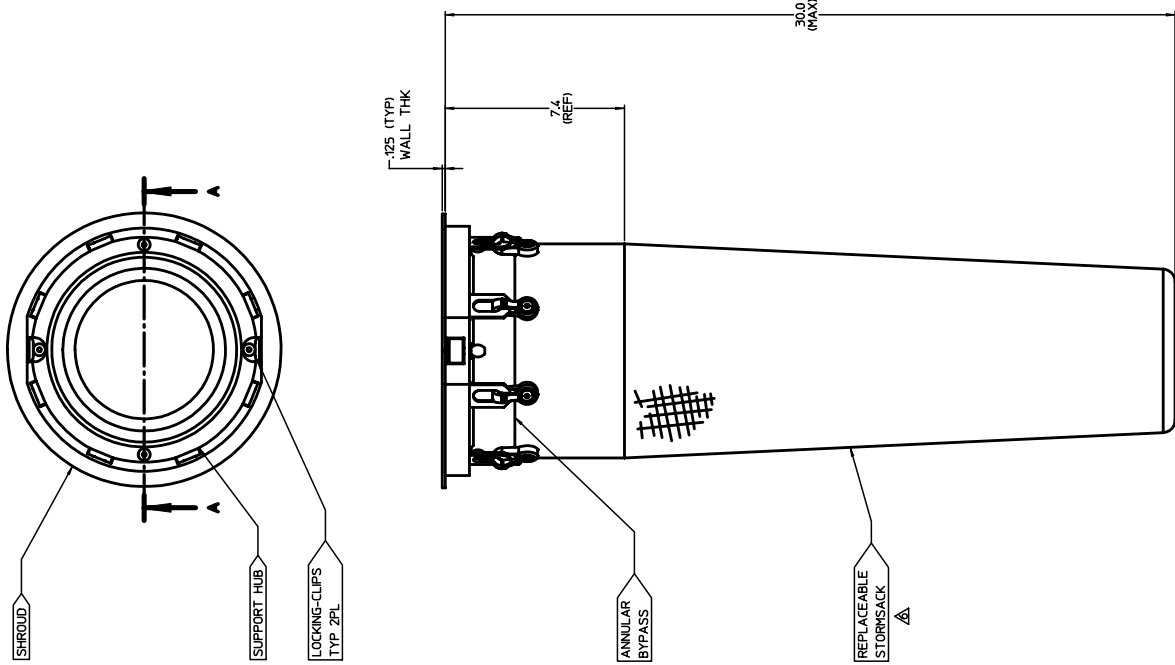


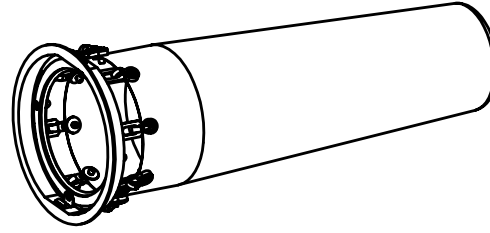
THIS DRAWING IS THE PROPERTY OF FABCO INDUSTRIES, INC. AND IS TO BE KEPT IN CONFIDENCE. IT IS TO BE USED ONLY FOR THE PROJECT AND SITE SPECIFICALLY IDENTIFIED HEREIN. IT IS NOT TO BE REPRODUCED, COPIED, OR TRANSMITTED IN ANY MANNER, IN ANY FORM, OR BY ANY MEANS, WITHOUT THE EXPRESS WRITTEN PERMISSION OF FABCO INDUSTRIES, INC. ANY UNAUTHORIZED USE OR DISSEMINATION OF THIS DRAWING IS PROHIBITED AND WILL BE PROSECUTED TO THE FULL EXTENT OF THE LAW.

**NOTES:**

1. WEIGHT (EMPTY): 12 LB MAX
2. MATERIAL:
  - A) SHROUD: HDPE
  - B) SUPPORT HUB: CRS. POWDER COATED
  - C) STORMSACK: WOVEN POLYPROPYLENE GEOTEXTILE
  - D) HARDWARE: ALUMINUM POP-RIVETS, CRS LOCKING-CLIPS
3. PERFORMANCE CHARACTERISTICS (TYP):
  - A) DEBRIS CAPACITY: 0.77 CU-FT
  - B) FILTERED FLOW RATE: 2.2 CFS (97.6 GPM)
  - C) BYPASS FLOW RATE: 12 CFS (530 GPM)
4. DESIGNED TO FIT NYLOPLAST CASTING, P/N: 1299CGS (OR EQUAL) WITH ASSOCIATED TRANSITION PLATE.
5. TYPICAL INSTALLATION: RAISE STORM GRATE, PUSH CATCH-IT SHROUD DOWN ON FRAME SUPPORT LEDGE UNTIL LOCKING-CLIPS CLICK IN PLACE, LOWER STORM GRATE.
6. USE ONLY WITH FABCO REPLACEABLE STORMSACK, P/N: 9786-1-200



SECTION A-A



REV	DATE	DESCRIPTION
C	07/10/06	ED9786-1-000C

REV	DATE	DESCRIPTION
D	08/04/06	9786-1-000

REV	DATE	DESCRIPTION
C	07/10/06	ED9786-1-000C

REV	DATE	DESCRIPTION
D	08/04/06	9786-1-000

REV	DATE	DESCRIPTION
C	07/10/06	ED9786-1-000C

REV	DATE	DESCRIPTION
D	08/04/06	9786-1-000

REV	DATE	DESCRIPTION
C	07/10/06	ED9786-1-000C

REV	DATE	DESCRIPTION
D	08/04/06	9786-1-000

REV	DATE	DESCRIPTION
C	07/10/06	ED9786-1-000C

REV	DATE	DESCRIPTION
D	08/04/06	9786-1-000

REV	DATE	DESCRIPTION
C	07/10/06	ED9786-1-000C

REV	DATE	DESCRIPTION
D	08/04/06	9786-1-000

REV	DATE	DESCRIPTION
C	07/10/06	ED9786-1-000C

REV	DATE	DESCRIPTION
D	08/04/06	9786-1-000

REV	DATE	DESCRIPTION
C	07/10/06	ED9786-1-000C

REV	DATE	DESCRIPTION
D	08/04/06	9786-1-000

REV	DATE	DESCRIPTION
C	07/10/06	ED9786-1-000C

REV	DATE	DESCRIPTION
D	08/04/06	9786-1-000

REV	DATE	DESCRIPTION
C	07/10/06	ED9786-1-000C

REV	DATE	DESCRIPTION
D	08/04/06	9786-1-000

REV	DATE	DESCRIPTION
C	07/10/06	ED9786-1-000C

REV	DATE	DESCRIPTION
D	08/04/06	9786-1-000

REV	DATE	DESCRIPTION
C	07/10/06	ED9786-1-000C

REV	DATE	DESCRIPTION
D	08/04/06	9786-1-000

REV	DATE	DESCRIPTION
C	07/10/06	ED9786-1-000C

REV	DATE	DESCRIPTION
D	08/04/06	9786-1-000

REV	DATE	DESCRIPTION
C	07/10/06	ED9786-1-000C

REV	DATE	DESCRIPTION
D	08/04/06	9786-1-000

REV	DATE	DESCRIPTION
C	07/10/06	ED9786-1-000C

REV	DATE	DESCRIPTION
D	08/04/06	9786-1-000

REV	DATE	DESCRIPTION
C	07/10/06	ED9786-1-000C

REV	DATE	DESCRIPTION
D	08/04/06	9786-1-000

REV	DATE	DESCRIPTION
C	07/10/06	ED9786-1-000C

REV	DATE	DESCRIPTION
D	08/04/06	9786-1-000

REV	DATE	DESCRIPTION
C	07/10/06	ED9786-1-000C

REV	DATE	DESCRIPTION
D	08/04/06	9786-1-000

REV	DATE	DESCRIPTION
C	07/10/06	ED9786-1-000C

REV	DATE	DESCRIPTION
D	08/04/06	9786-1-000

REV	DATE	DESCRIPTION
C	07/10/06	ED9786-1-000C

REV	DATE	DESCRIPTION
D	08/04/06	9786-1-000

REV	DATE	DESCRIPTION
C	07/10/06	ED9786-1-000C

REV	DATE	DESCRIPTION
D	08/04/06	9786-1-000

REV	DATE	DESCRIPTION
C	07/10/06	ED9786-1-000C

REV	DATE	DESCRIPTION
D	08/04/06	9786-1-000

REV	DATE	DESCRIPTION
C	07/10/06	ED9786-1-000C

REV	DATE	DESCRIPTION
D	08/04/06	9786-1-000

REV	DATE	DESCRIPTION
C	07/10/06	ED9786-1-000C

REV	DATE	DESCRIPTION
D	08/04/06	9786-1-000

REV	DATE	DESCRIPTION
C	07/10/06	ED9786-1-000C

REV	DATE	DESCRIPTION
D	08/04/06	9786-1-000

REV	DATE	DESCRIPTION
C	07/10/06	ED9786-1-000C

REV	DATE	DESCRIPTION
D	08/04/06	9786-1-000

REV	DATE	DESCRIPTION
C	07/10/06	ED9786-1-000C

REV	DATE	DESCRIPTION
D	08/04/06	9786-1-000

REV	DATE	DESCRIPTION
C	07/10/06	ED9786-1-000C

REV	DATE	DESCRIPTION
D	08/04/06	9786-1-000

REV	DATE	DESCRIPTION
C	07/10/06	ED9786-1-000C

REV	DATE	DESCRIPTION
D	08/04/06	9786-1-000

REV	DATE	DESCRIPTION
C	07/10/06	ED9786-1-000C

REV	DATE	DESCRIPTION
D	08/04/06	9786-1-000

REV	DATE	DESCRIPTION
C	07/10/06	ED9786-1-000C

REV	DATE	DESCRIPTION
D	08/04/06	9786-1-000

REV	DATE	DESCRIPTION
C	07/10/06	ED9786-1-000C

REV	DATE	DESCRIPTION
D	08/04/06	9786-1-000

REV	DATE	DESCRIPTION
C	07/10/06	ED9786-1-000C

REV	DATE	DESCRIPTION
D	08/04/06	9786-1-000

REV	DATE	DESCRIPTION
C	07/10/06	ED9786-1-000C

REV	DATE	DESCRIPTION
D	08/04/06	9786-1-000

REV	DATE	DESCRIPTION
C	07/10/06	ED9786-1-000C

REV	DATE	DESCRIPTION
D	08/04/06	9786-1-000

REV	DATE	DESCRIPTION
C	07/10/06	ED9786-1-000C

REV	DATE	DESCRIPTION
D	08/04/06	9786-1-000

REV	DATE	DESCRIPTION
C	07/10/06	ED9786-1-000C

REV	DATE	DESCRIPTION
D	08/04/06	9786-1-000

REV	DATE	DESCRIPTION
C	07/10/06	ED9786-1-000C

REV	DATE	DESCRIPTION
D	08/04/06	9786-1-000

REV	DATE	DESCRIPTION
C	07/10/06	ED9786-1-000C

REV	DATE	DESCRIPTION
D	08/04/06	9786-1-000

REV	DATE	DESCRIPTION
C	07/10/06	ED9786-1-000C

REV	DATE	DESCRIPTION
D	08/04/06	9786-1-000

REV	DATE	DESCRIPTION
C	07/10/06	ED9786-1-000C

REV	DATE	DESCRIPTION
D	08/04/06	9786-1-000

REV	DATE	DESCRIPTION
C	07/10/06	ED9786-1-000C

REV	DATE	DESCRIPTION
D	08/04/06	9786-1-000

REV	DATE	DESCRIPTION
C	07/10/06	ED9786-1-000C

REV	DATE	DESCRIPTION
D	08/04/06	9786-1-000

REV	DATE	DESCRIPTION
C	07/10/06	ED9786-1-000C

REV	DATE	DESCRIPTION
D	08/04/06	9786-1-000

REV	DATE	DESCRIPTION
C	07/10/06	ED9786-1-000C

REV	DATE	DESCRIPTION
D	08/04/06	9786-1-000

REV	DATE	DESCRIPTION
C	07/10/06	ED9786-1-000C

REV	DATE	DESCRIPTION
D	08/04/06	9786-1-000

REV	DATE	DESCRIPTION
C	07/10/06	ED9786-1-000C

REV	DATE	DESCRIPTION
D	08/04/06	9786-1-000

REV	DATE	DESCRIPTION
C	07/10/06	ED9786-1-000C

REV	DATE	DESCRIPTION
D	08/04/06	9786-1-000

REV	DATE	DESCRIPTION
C	07/10/06	ED9786-1-000C

REV	DATE	DESCRIPTION
D	08/04/06	9786-1-000

REV	DATE	DESCRIPTION
C	07/10/06	ED9786-1-000C

REV	DATE	DESCRIPTION
D	08/04/06	9786-1-000

REV	DATE	DESCRIPTION
C	07/10/06	ED9786-1-000C

REV	DATE	DESCRIPTION
D	08/04/06	9786-1-000

REV	DATE	DESCRIPTION
C	07/10/06	ED9786-1-000C

REV	DATE	DESCRIPTION
D	08/04/06	9786-1-000

REV	DATE	DESCRIPTION
C	07/10/06	ED9786-1-000C

REV	DATE	DESCRIPTION
D	08/04/06	9786-1-000

REV	DATE	DESCRIPTION
C	07/10/06	ED9786-1-000C

REV	DATE	DESCRIPTION
D	08/04/06	9786-1-000

REV	DATE	DESCRIPTION
C	07/10/06	ED9786-1-000C

REV	DATE	DESCRIPTION
D	08/04/06	9786-1-000

REV	DATE	DESCRIPTION
C	07/10/06	ED9786-1-000C

REV	DATE	DESCRIPTION
D	08/04/06	9786-1-000

REV	DATE	DESCRIPTION
C	07/10/06	ED9786-1-000C

REV	DATE	DESCRIPTION
D	08/04/06	9786-1-000

REV	DATE	DESCRIPTION
C	07/10/06	ED9786-1-000C

REV	DATE	DESCRIPTION
D	08/04/06	9786-1-000

REV	DATE	DESCRIPTION
C	07/10/06	ED9786-1-000C

REV	DATE	DESCRIPTION
D	08/04/06	9786-1-000

REV	DATE	DESCRIPTION
C	07/10/06	ED9786-1-000C

REV	DATE	DESCRIPTION
D	08/04/06	9786-1-000

REV	DATE	DESCRIPTION
C	07/10/06	ED9786-1-000C

REV	DATE	DESCRIPTION
D	08/04/06	9786-1-000

REV	DATE	DESCRIPTION
C	07/10/06	ED9786-1-000C

REV	DATE	DESCRIPTION
D	08/04/06	9786-1-000

REV	DATE	DESCRIPTION
C	07/10/06	ED9786-1-000C

REV	DATE	DESCRIPTION
D	08/04/06	9786-1-000

REV	DATE	DESCRIPTION
C	07/10/06	ED9786-1-000C

REV	DATE	DESCRIPTION
D	08/04/06	9786-1-000

REV	DATE	DESCRIPTION
C	07/10/06	ED9786-1-000C

REV	DATE	DESCRIPTION
D	08/04/06	9786-1-000

REV	DATE	DESCRIPTION
C	07/10/06	ED9786-1-000C

REV	DATE	DESCRIPTION
D	08/04/06	9786-1-000

REV	DATE	DESCRIPTION
C	07/10/06	ED9786-1-000C

REV	DATE	DESCRIPTION
D	08/04/06	9786-1-000

REV	DATE	DESCRIPTION