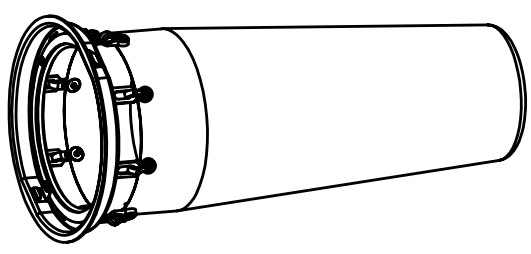
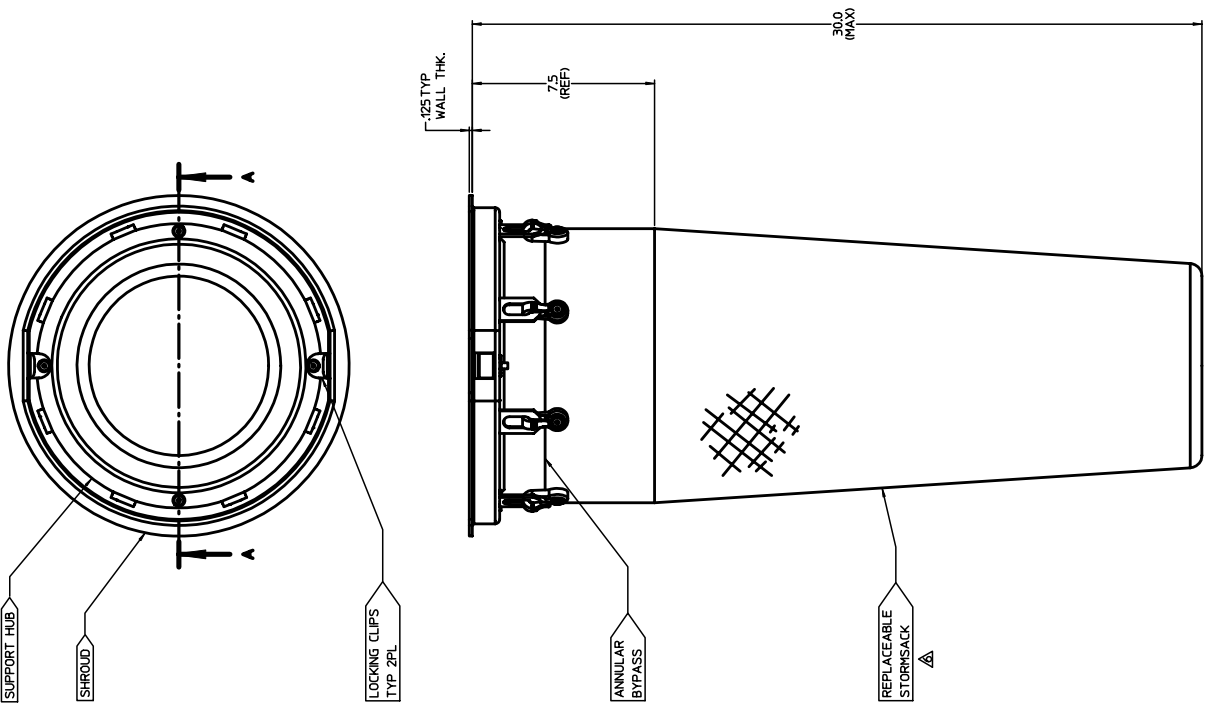


THIS DRAWING IS THE PROPERTY OF FABCO INDUSTRIES, INC. AND IS TO BE USED ONLY FOR THE PROJECT AND SITE SPECIFICALLY IDENTIFIED HEREIN. IT IS TO BE KEPT IN THE OFFICE OF THE ENGINEER OR ARCHITECT AND NOT REPRODUCED OR COPIED IN ANY MANNER WITHOUT THE EXPRESS WRITTEN PERMISSION OF FABCO INDUSTRIES, INC. ANY REPRODUCTION OF THIS DRAWING IS TO BE CONSIDERED VOID AND INVALID UNLESS IT IS ACCOMPANIED BY THIS DRAWING AND THE INFORMATION CONTAINED THEREIN.

NOTES:

1. WEIGHT (EMPTY): 15 LB MAX
2. MATERIAL:
 - A) SHROUD: HDPE
 - B) SUPPORT HUB: CRS. POWDER COATED
 - C) STORMSACK: WOVEN POLYPROPYLENE GEOTEXTILE
 - D) HARDWARE: ALUMINUM POP-RIVETS, CRS. LOCKING-CLIPS
3. PERFORMANCE CHARACTERISTICS (TYP):
 - A) DEBRIS CAPACITY: 124 CU-FT
 - B) FILTERED FLOW RATE: 28 CFS (1251 GPM)
 - C) BYPASS FLOW RATE: 15 CFS (685 GPM)
4. DESIGNED TO FIT NYLOPLAST CASTING, P/N: 1599CGS (OR EQUAL) WITH ASSOCIATED TRANSITION PLATE.
5. TYPICAL INSTALLATION: RAISE STORM GRATE, PUSH CATCH-IT SHROUD DOWN ON FRAME SUPPORT LEDGE UNTIL LOCKING CLIPS CLICK IN PLACE, LOWER STORM GRATE.
6. USE ONLY WITH FABCO REPLACEABLE STORMSACK, P/N: 9786-2-200



REV	DATE	BY	CHKD
B	20/04/06	ED9786-2-008	
FABCO INDUSTRIES, INC. 50 MILLER PLACE BOEHMIA NY 1176			
SEE NOTES 9786-2-Assy3			
DO NOT SCALE THIS DRAWING UNLESS SPECIFICALLY NOTED OTHERWISE.			
DRAWN BY: J. PETERS DATE: 10/04/06			
CHECKED BY: J. PETERS DATE: 10/04/06			
ALL OF MATERIALS SHALL BE AS SPECIFIED UNLESS OTHERWISE NOTED OTHERWISE.			
FABCO INDUSTRIES, INC. 50 MILLER PLACE BOEHMIA NY 1176			
PART NUMBER: 9786-2-000			
PART NAME: CATCH-IT, 15-IN (LONG)			
PART 3/16 INT			
PART 1 OF 1			