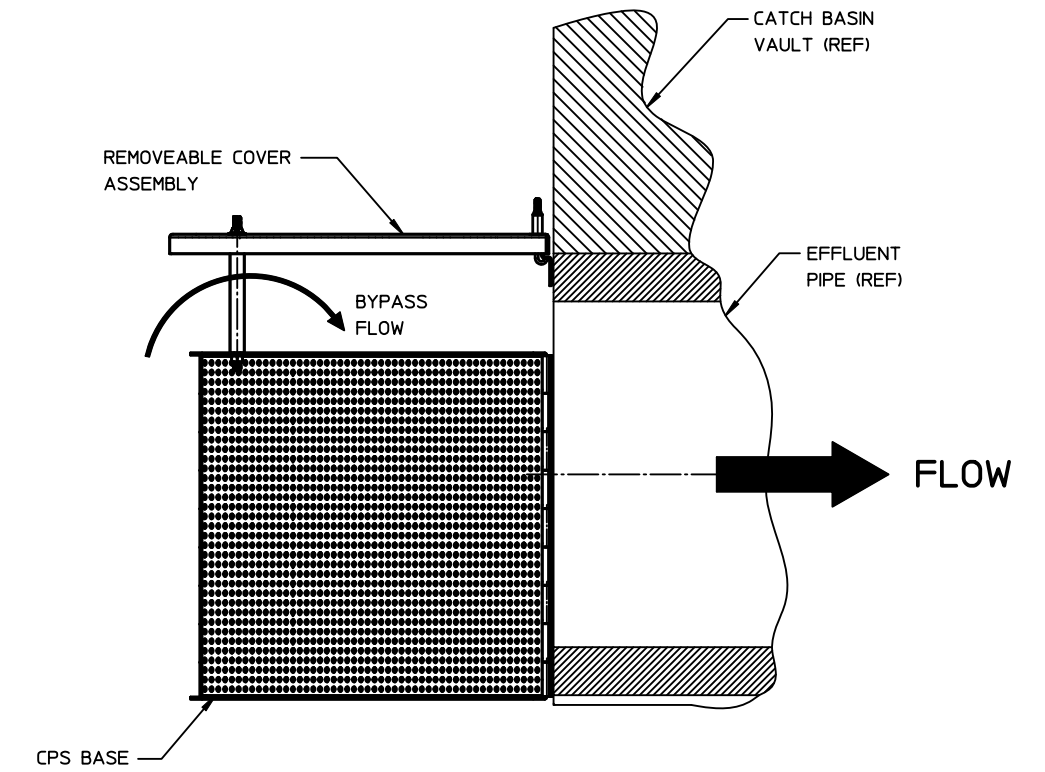
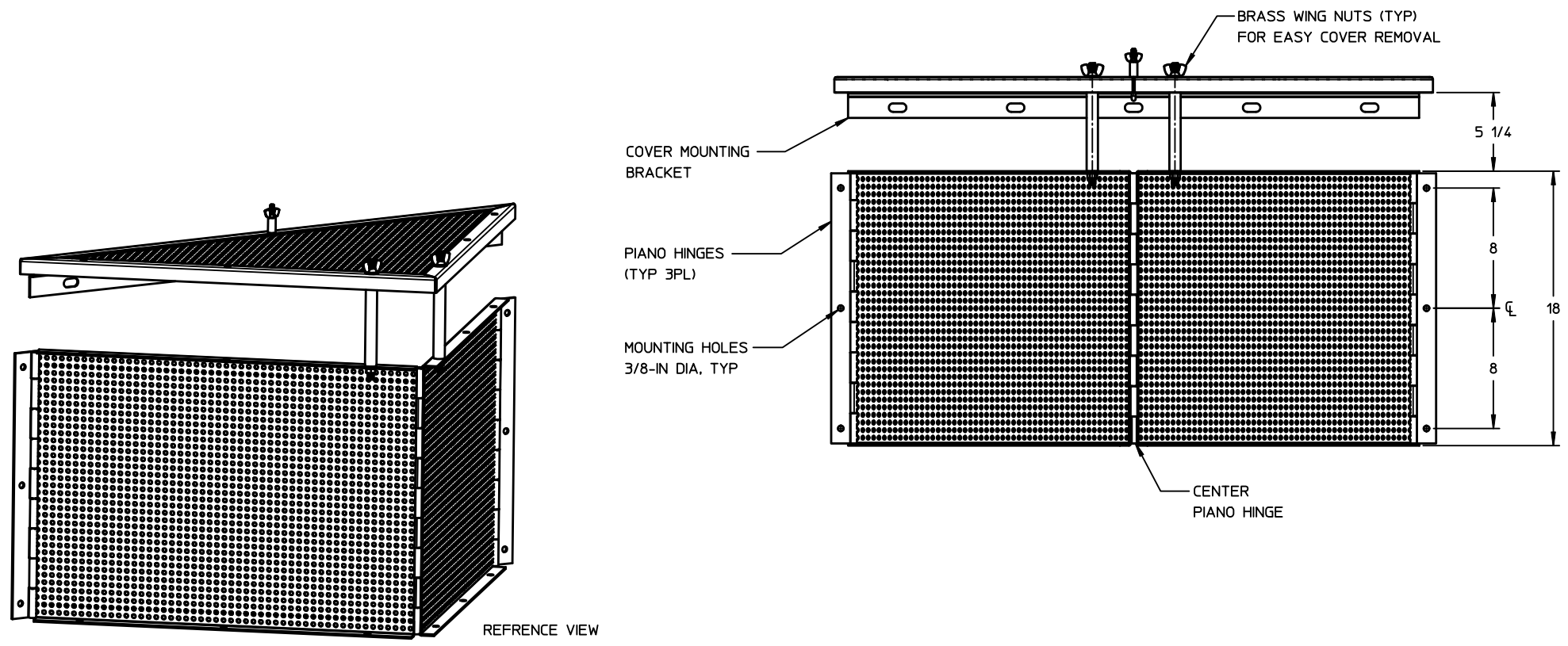
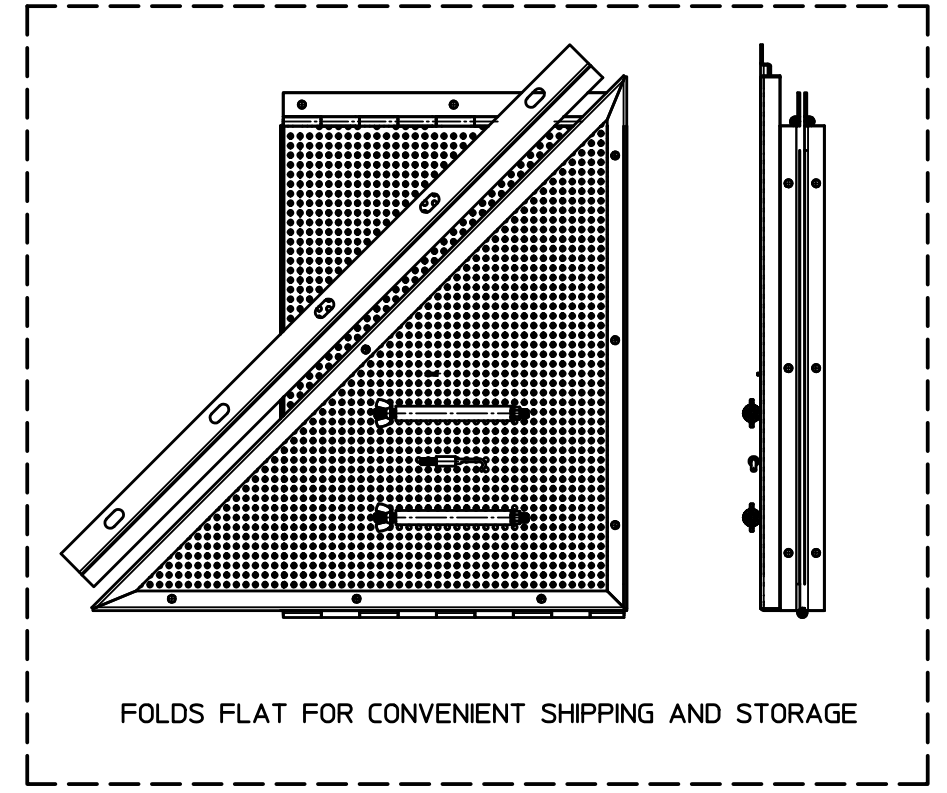
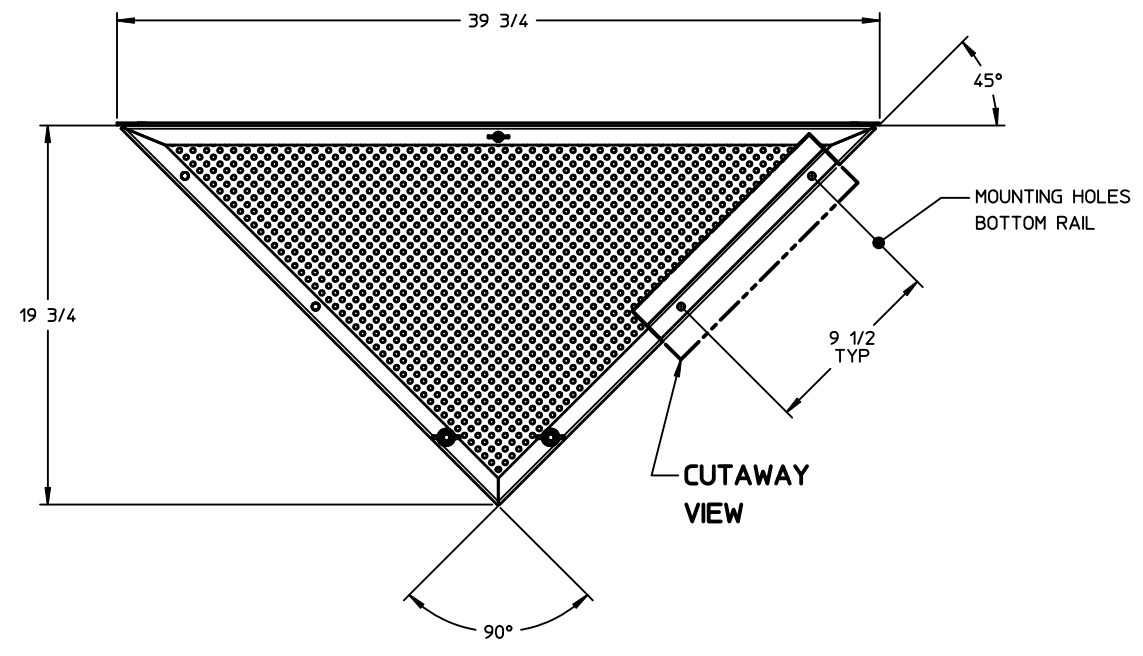


THIS DOCUMENT IS THE PROPERTY OF FABCO INDUSTRIES AND IS CONVEYED WITH THE EXPRESS CONDITION THAT IT AND THE INFORMATION CONTAINED IN IT ARE NOT TO BE USED, DISCLOSED, OR REPRODUCED IN WHOLE OR IN PART, FOR ANY PURPOSE WITHOUT THE EXPRESS WRITTEN CONSENT OF FABCO INDUSTRIES, AND THAT NO RIGHT IS GRANTED TO DISCLOSE OR SO USE ANY INFORMATION CONTAINED IN SAID DOCUMENT.

REVISIONS			
REV	DESCRIPTION	DATE	APPROVED
B	ECN10020-3-000B	9/23/2013	

NOTES:

- WEIGHT: 35-LBS
- MATERIAL:
 - A) PERFORATED PLATE:
14-GA STAINLESS STEEL, 5mm HOLES
STAGGERED CONFIGURATION, 50% OPEN AREA
 - B) FRAME ASSEMBLY (WELDED):
300 SERIES STAINLESS STEEL
 - C) HINGES: 300 SERIES STAINLESS STEEL PIANO HINGE, WELDED TO FRAME AND PLATE
 - D) HARDWARE:
COVER SUPPORT: 3/8-16 THREADED ROD W/ BRASS WING NUTS AND HDPE SPACERS
CONCRETE STRIKE ANCHORS: ZINC PLATED CRS
- PERFORMANCE CHARACTERISTICS:
 - A) FLOW RATE (PERFORATED PLATES): 5520 GPM (12.3 CFS)
 - B) BYPASS FLOW RATE: 1800 GPM (4.0 CFS)
 - C) PARTICLE SIZE RETENTION: >0.197-IN (>5-mm)
- INSTALLATION: LOCATE AND MOUNT THE CPS BASE SCREEN TO THE CATCH BASIN WALL AND FLOOR JUST IN FRONT OF THE EFFLUENT PIPE USING THE CONCRETE STRIKE ANCHORS PROVIDED. THE THREE (3) PIANO HINGES ALLOW GREATER FLEXIBILITY FOR IRREGULAR CATCH BASIN SURFACES. ATTACH THE COVER MOUNTING BRACKET ABOVE THE BASE SCREEN AS SHOWN. THEN, USING THE SPACER HARDWARE, CONNECT THE REMOVABLE COVER ASSEMBLY.
- CPS CONFIGURATIONS FOR LARGER, SMALLER, CORNER AND RAISED EFFLUENT PIPES ARE ALSO AVAILABLE.



NO	QTY	PART NUMBER	DESCRIPTION	REMARKS
BILL OF MATERIALS				
UNLESS OTHERWISE SPECIFIED			TOLERANCES:	APPROVALS
REVISE ALL SURF			DEC .00 ± .01	DATE
BREAK SHARP EDGES .002 - .020			DEC .000 ± .005	OWN MS 5/8/13
FILLETS .250 MAX			FRAC 1 ± 1/16	CHKR
DIMENSIONS ARE IN INCHES AND			ANGLE ± 2°	ENGR JP 5/8/13
INCLUDE ORIENTATIONS APPLIED			Ra FINISH	APVD
OR PLATED FINISHES			DO NOT SCALE THIS DRAWING	
MATERIAL		ASSEMBLY	TITLE	
MODEL LINK		10020-3	CPS DEVICE ASSEMBLY, 18"	
FABCO INDUSTRIES, INC.		FABCO INDUSTRIES, INC.		SIZE
66 CENTRAL AVENUE		66 CENTRAL AVENUE		CAGE CODE
FARMINGDALE, NY 11735		FARMINGDALE, NY 11735		DWG NO
WWW.FABCO-INDUSTRIES.COM		WWW.FABCO-INDUSTRIES.COM		10020-3-000
				REV
				B
SCALE 15		WT		SHEET 1 OF 1