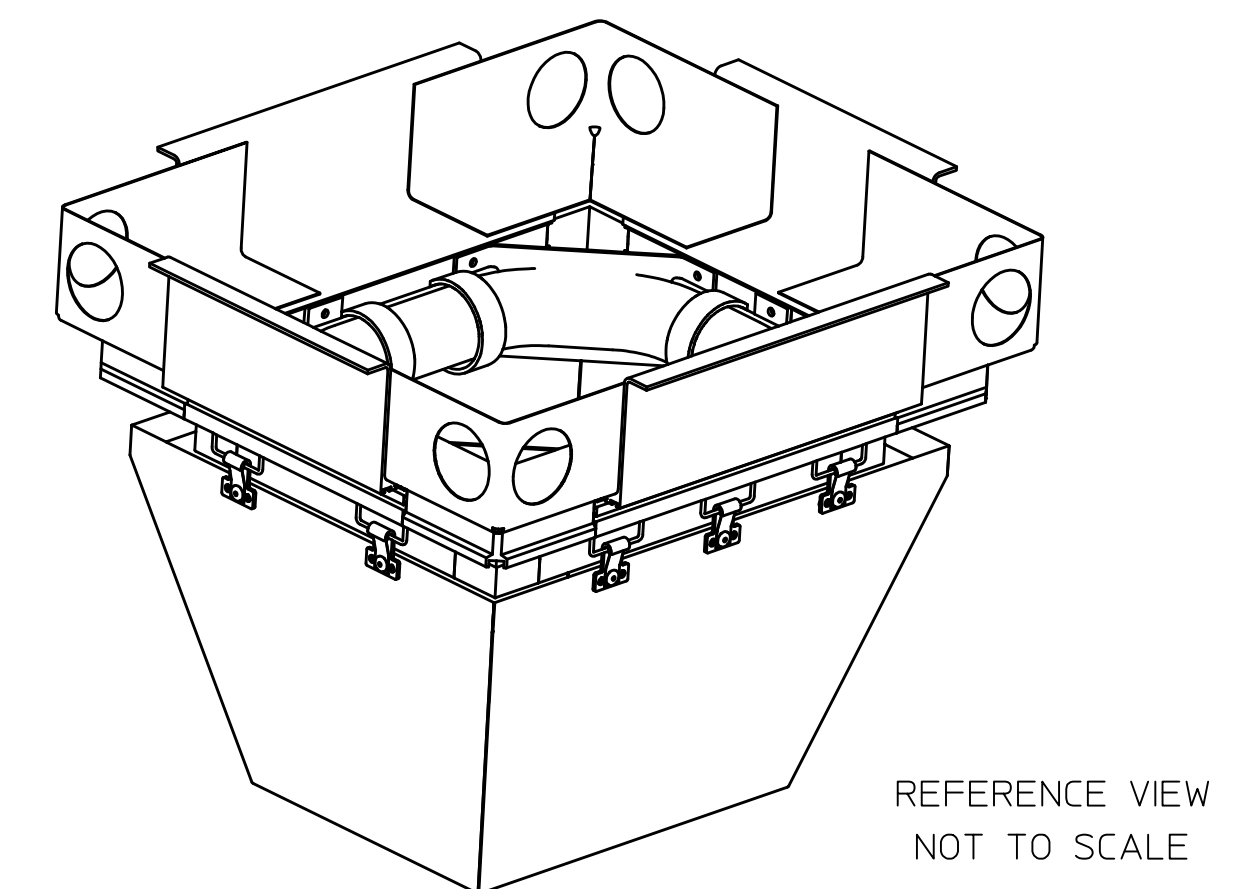
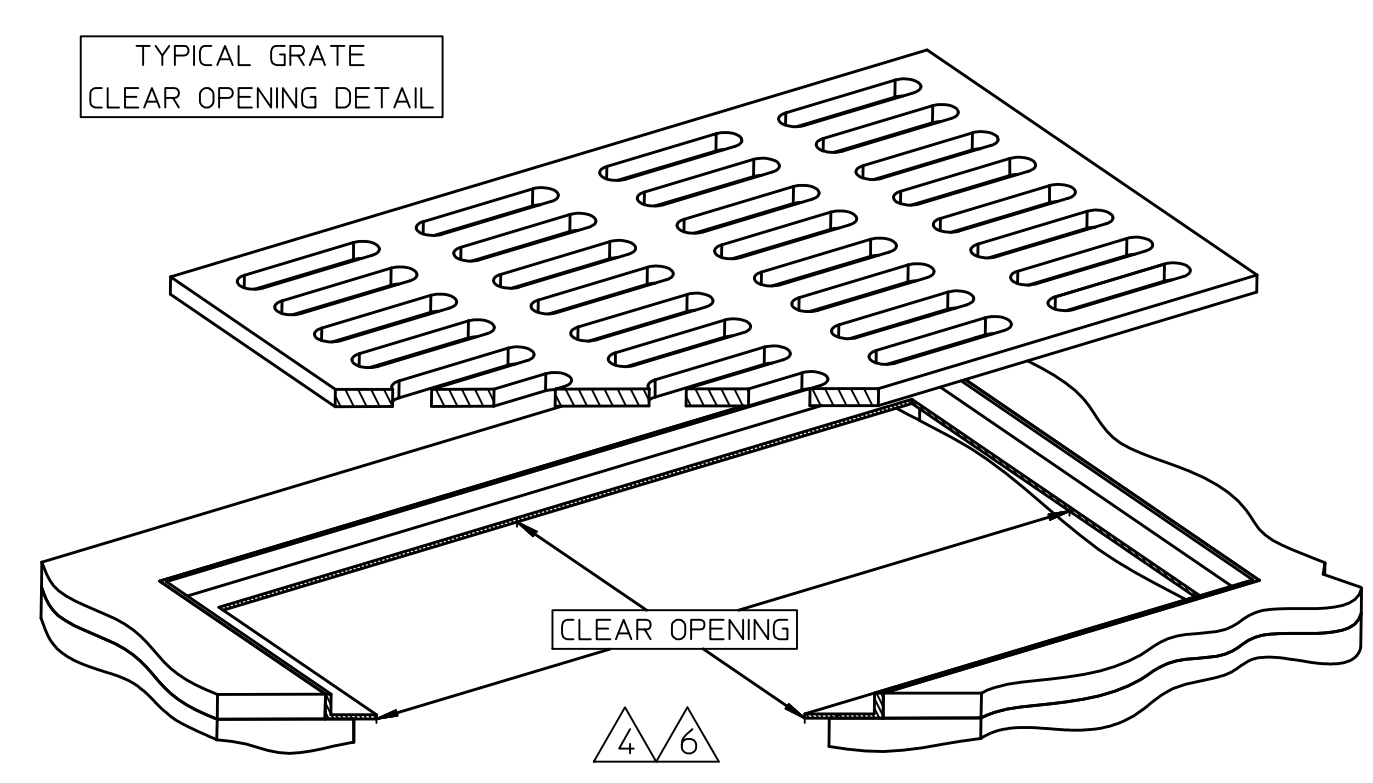
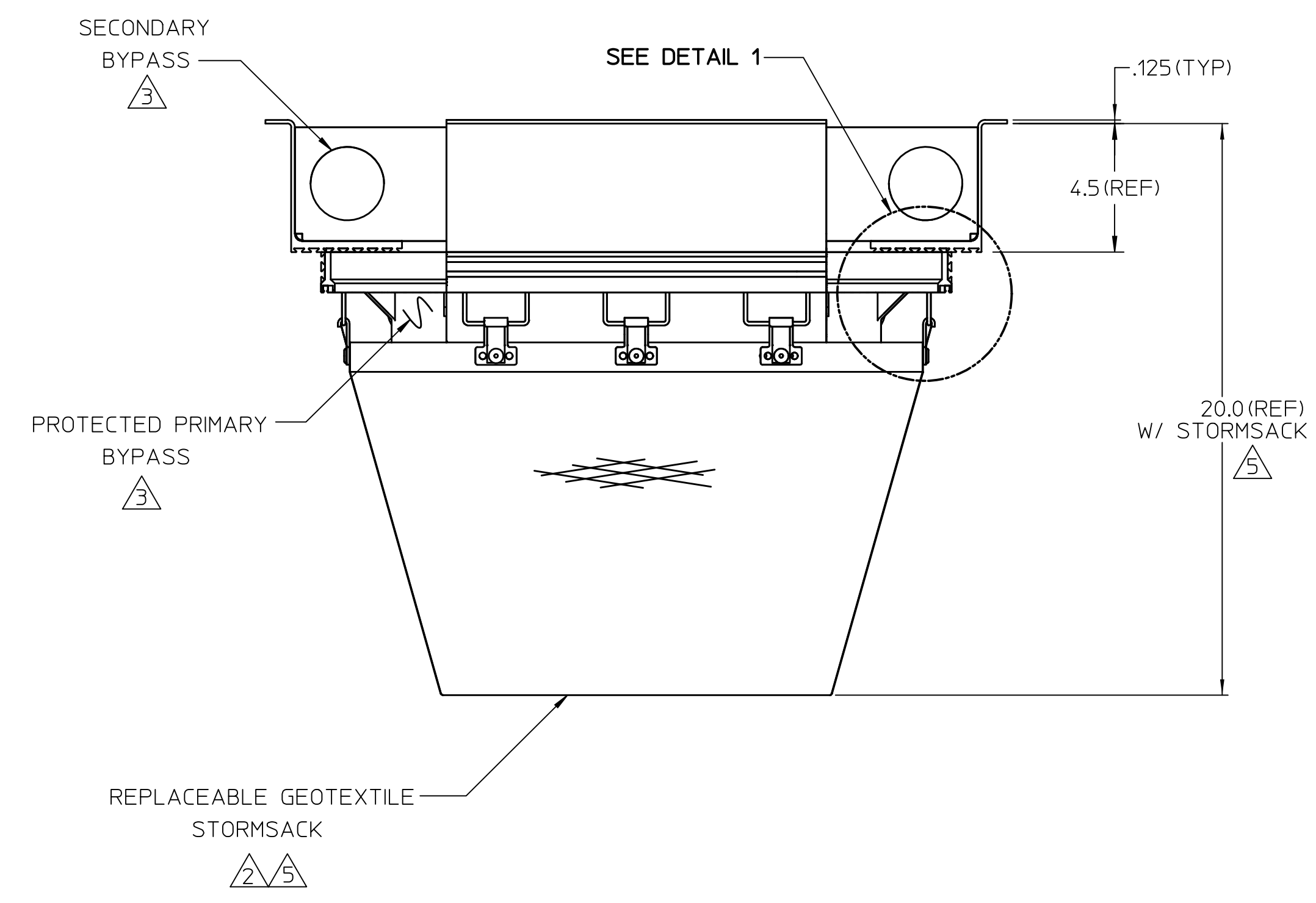
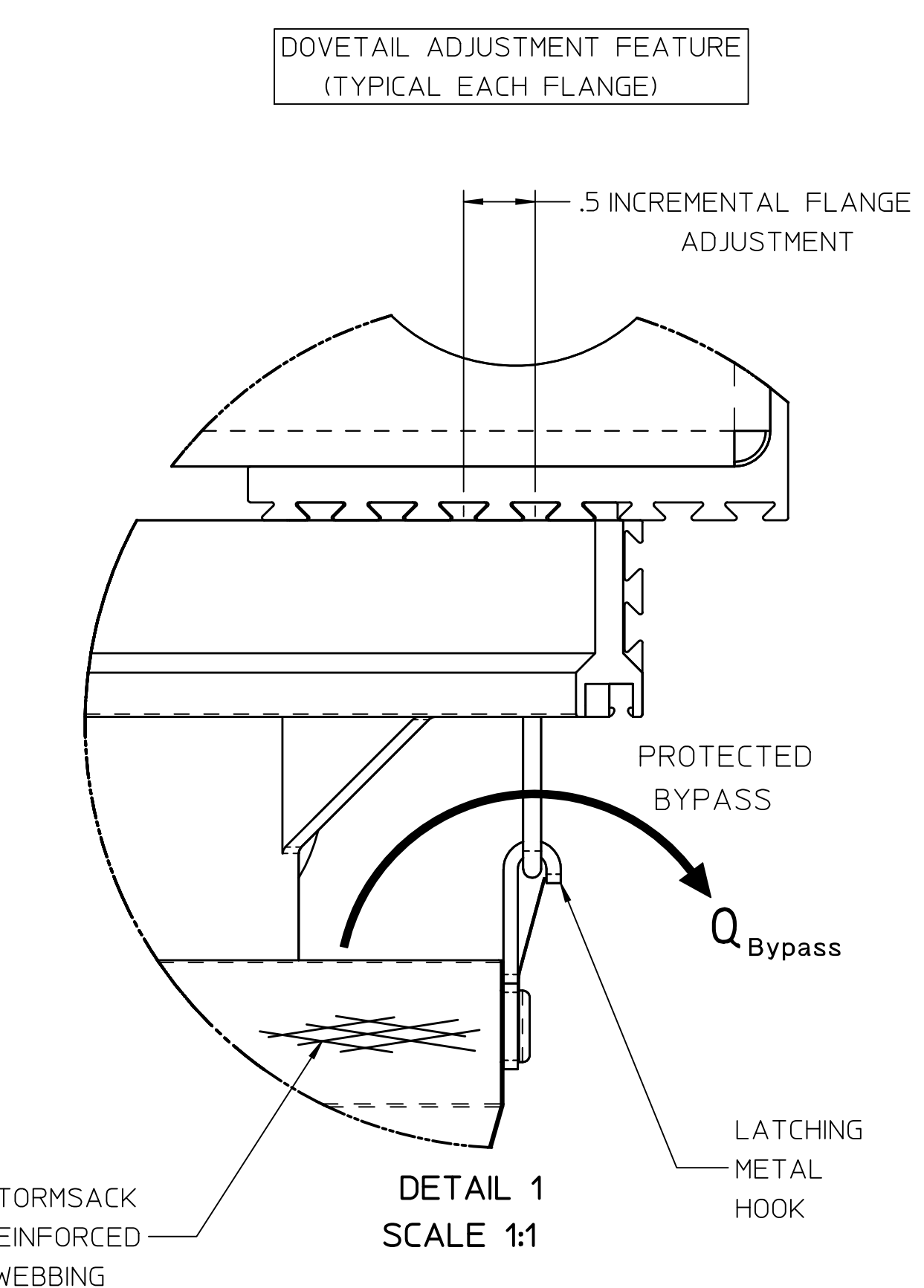
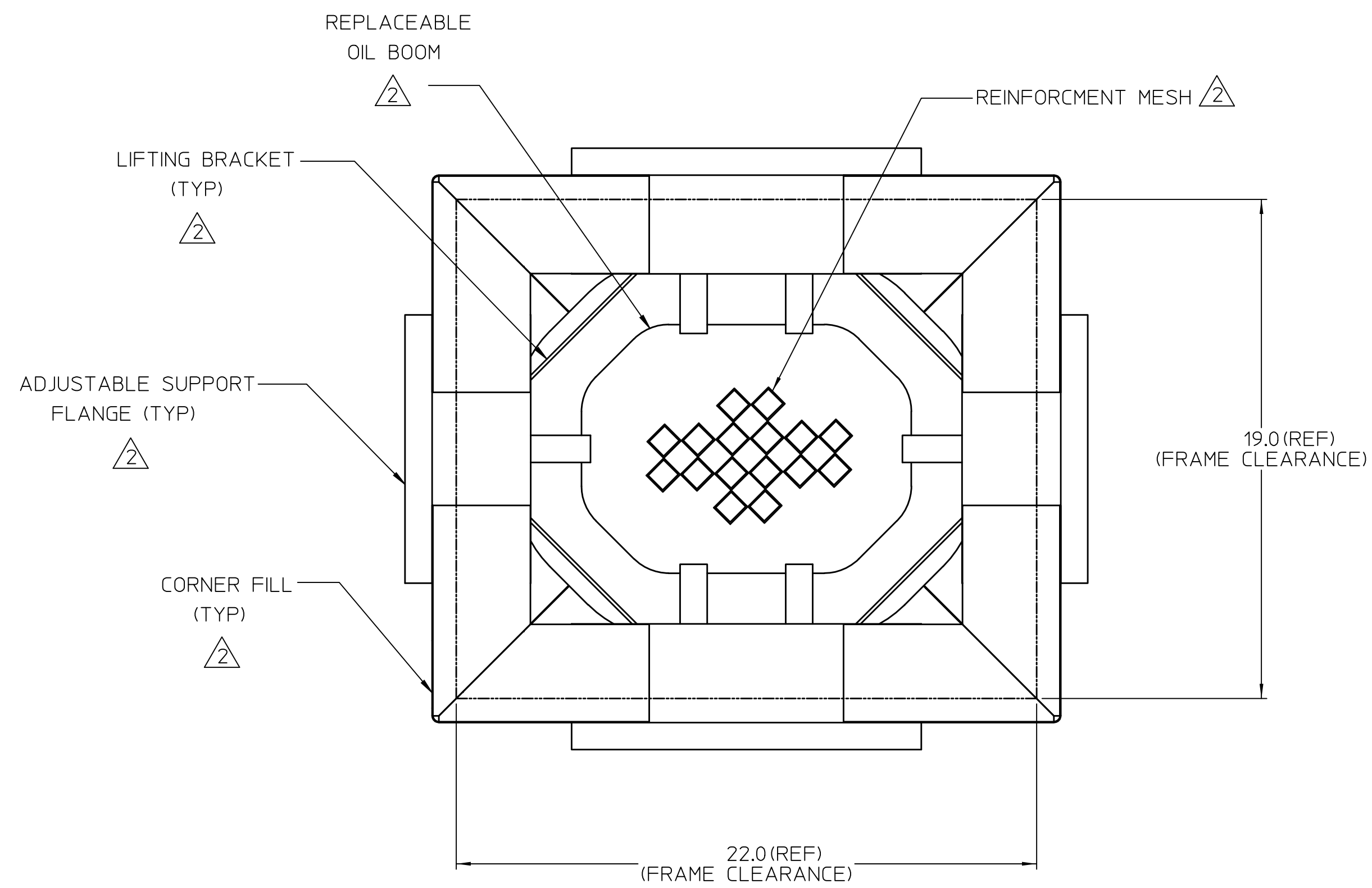


THIS DOCUMENT IS THE PROPERTY OF FABCO INDUSTRIES AND IS CONVEYED WITH THE EXPRESS CONDITION THAT IT AND THE INFORMATION CONTAINED IN IT ARE NOT TO BE USED, DISCLOSED, OR REPRODUCED IN WHOLE OR IN PART FOR ANY PURPOSE WITHOUT THE EXPRESS WRITTEN CONSENT OF FABCO INDUSTRIES, AND THAT NO RIGHT IS GRANTED TO DISCLOSE OR SO USE ANY INFORMATION CONTAINED IN SAID DOCUMENT.

NOTES:

- WEIGHT (EMPTY): 25 LB MAX
- MATERIAL:
 - ADJUSTABLE FLANGE AND DEFLECTOR: ALUMINUM ALLOY 6063-T6
 - STORMSACK: GEOTEXTILE 117F W/ REINFORCEMENT WEBBING
 - MESH LINER: HDPE, 1" DIAMOND CONFIGURATION
 - LIFTING TABS: ALUMINUM ALLOY 5052-H32
 - CORNER FILLER: ALUMINUM ALLOY 5052-H32
 - SUPPORT HARDWARE: ALUMINUM RIVETS
 - REPLACEABLE OIL BOOM: POLYPROPYLENE 3" DIA, PVC SUPPORT CLIPS
- PERFORMANCE CHARACTERISTICS (TYP):
 - DEBRIS CAPACITY: 2.5 CU-FT
 - FILTERED (CLEAN) FLOW RATE: 1126 GPM (2.5 CFS)
 - PRIMARY BYPASS FLOW RATE: 1129 GPM (2.5 CFS)
 - SECONDARY BYPASS FLOW RATE: 328 GPM (.73 CFS)
 - TOTAL BYPASS FLOW RATE: 1457 GPM (3.3 CFS)
 - OIL BOOM ABSORPTION CAPACITY: 300 OZ (2.34 GAL)
- CLEAR OPENING RANGE (0.5 INCH INCREMENTS):
 - MINIMUM SIZE: 19.0 X 22.0
 - MAXIMUM SIZE: 24.0 X 27.0
- RECOMMENDED MINIMUM VAULT DEPTH 2-IN BELOW STORMSACK
- TYPICAL INSTALLATION: REMOVE STORM GRATE, MEASURE CATCH BASIN FRAME CLEAR OPENING AND ADJUST FLANGES TO REST ON GRATE SUPPORT LEDGE. INSTALL STORMSACK INSERT AND VERIFY THE ADJUSTABLE FLANGES ARE SECURELY RESTING ON THE GRATE SUPPORT LEDGES. INSTALL CORNER FILLER PIECES. REINSTALL THE STORM GRATE DIRECTLY ON THE STORMSACK SUPPORT FLANGES.
- USE ONLY WITH FABCO REPLACEABLE STORMSACK, FABCO PART NO: 9748-7-200

REV		DESCRIPTION	DATE	APPROVED
D		ECN9748-7C-000D	7/10/12	



NO	QTY	PART NUMBER	DESCRIPTION	REMARKS
BILL OF MATERIALS				
UNLESS OTHERWISE SPECIFIED		TOLERANCES:		
REMOVE ALL BURRS		DEC .00 ± .01		
BREAK SHARP EDGES .002 - .020		DEC .000 ± .005		
FILLETS .020 MAX		FRACT ± 1/16		
DIMENSIONS ARE IN INCHES AND		ANGLE ± 2°		
INCLUDE CHEMICALLY APPLIED		R _a FINISH 125		
OR PLATED FINISHES				
DO NOT SCALE THIS DRAWING				
MATERIAL		SEE NOTES		
MODEL LINK		9748-7C_ASSY1		
APPROVALS		DATE		
DWN R.MARSTON		10/12/10		
CHKR				
ENGR J.PETERS		10/12/10		
APVD				
FABCO INDUSTRIES, INC.		66 CENTRAL AVENUE		
FARMINGDALE, NY 11735		WWW.FABCO-INDUSTRIES.COM		
TITLE		STORMSACK, 19X22 CS		
SIZE	CAGE CODE	DWG NO	REV	
D	1P8A4	9748-7C-000	D	
SCALE 1/4		WT	SHEET 1 OF 1	