

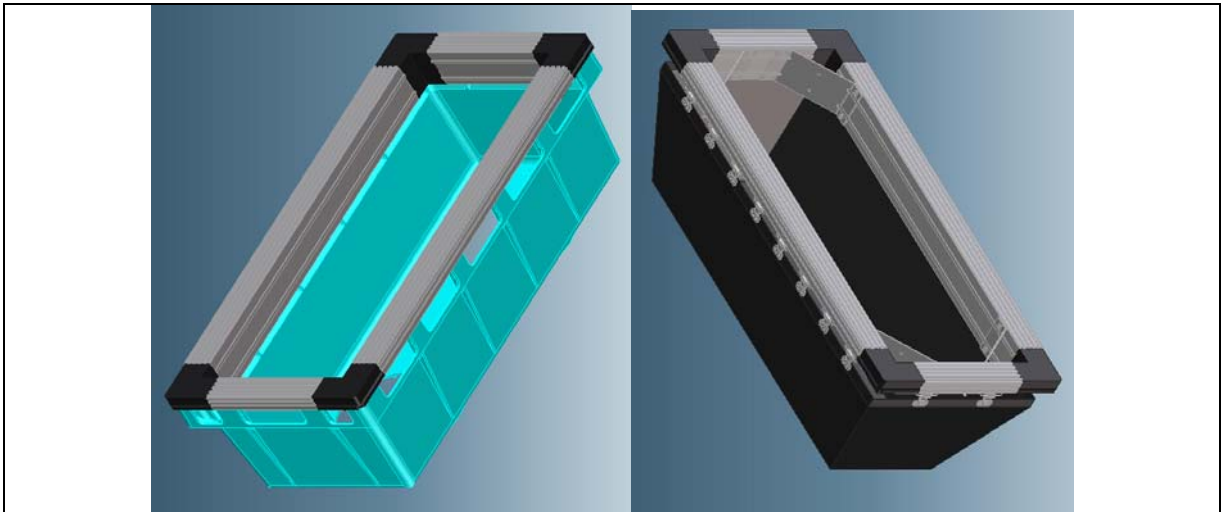
Type A Flange

StormBasin StormSack

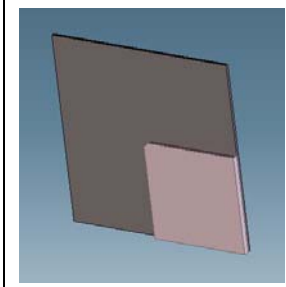
Installation Instructions for Flat Grate Inlets

Fabco Industries, Inc. • 66 Central Ave. Farmingdale, NY 11735 • (631) 393-6024
www.fabco-industries.com

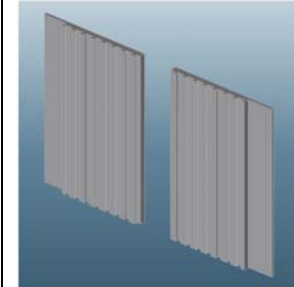
Item Checklist:



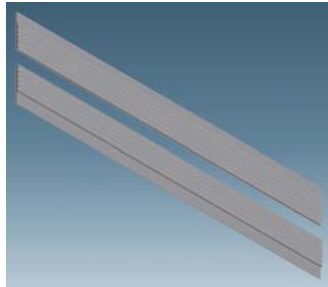
(x1) Frame w/ Attached Basin OR Frame & StormSack



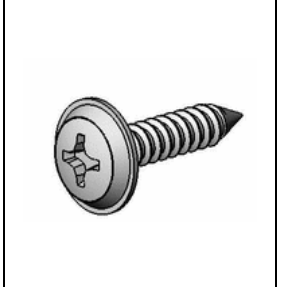
(x4) Rubber Corner Fillers



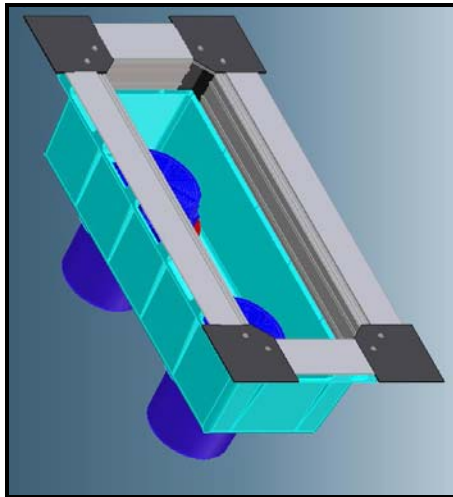
(x2) 5" Short Flanges



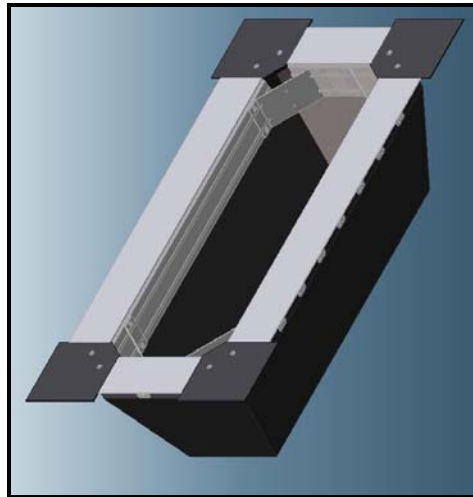
(x2) 5" Long Flanges



(x8) Oval Head Cap Screws



StormBasin, Type A Flange (Assembled)



StormSack, Type A Flange (Assembled)

Installation Instructions for StormBasin & StormSack Type A Flange Configuration

1

Remove the catch basin cover using a backhoe or ergonomic grate lever. Using a wire brush or scraper, remove debris from the catch basin frame.



2

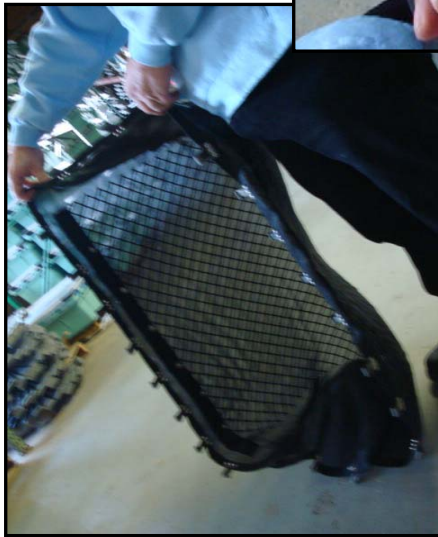
Measure and note the catch basin frame clear space length, width and depth. Remove any obstructions or debris that will interfere with the installed basin.



3

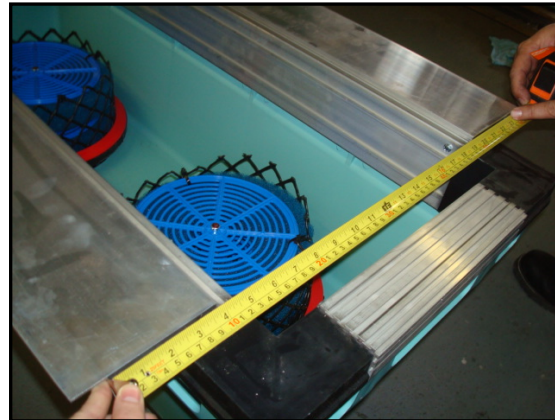
(StormSacks Only)

Prior to installing the flanges, attach each StormSack metal hook to the frame hangers as shown.



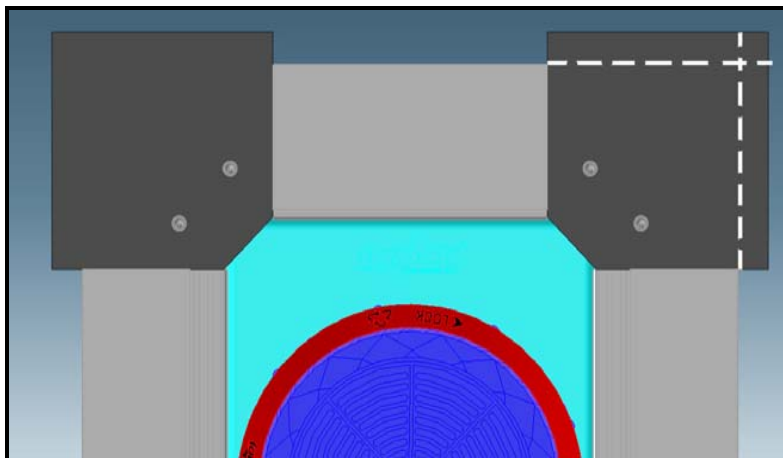
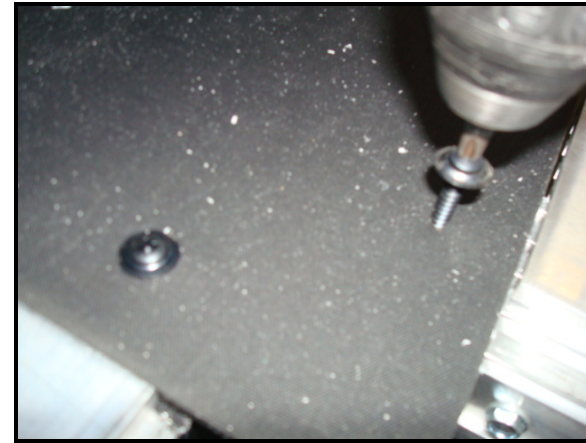
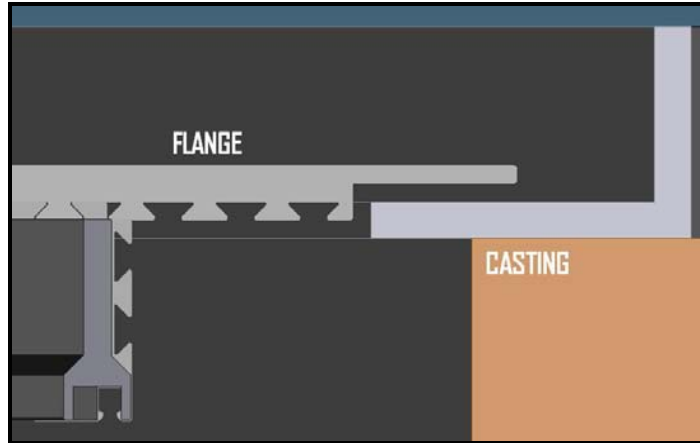
4

Using the clear space measurements noted in step 2 and the dovetail adjustment feature of each flange; adjust the length and width of the support flanges such that the StormBasin/StormSack will securely rest on the grate support of the casting. As shown below, the inside (flange-to-flange) distance should be equal the previously measured clear space for both length and width.



5

When installed properly, the StormBasin/StormSack should rest on the storm grate support ledge as illustrated below. Locate and screw the rubber corner fillers into each plastic corner as shown below. Do not over tighten screws. Then cut off the excess rubber material as required to seal the unit in place.



6**(StormBasins Only)**

Install the Storm Basin cartridge(s) into the unit and lock in place with a quarter-turn in the clockwise direction. Note: Use the colored ring to turn and lock, **not** the top grid or foam material.

**7**

Carefully replace the basin grate ensuring that it is properly seated on the frame. The installation is now complete.

