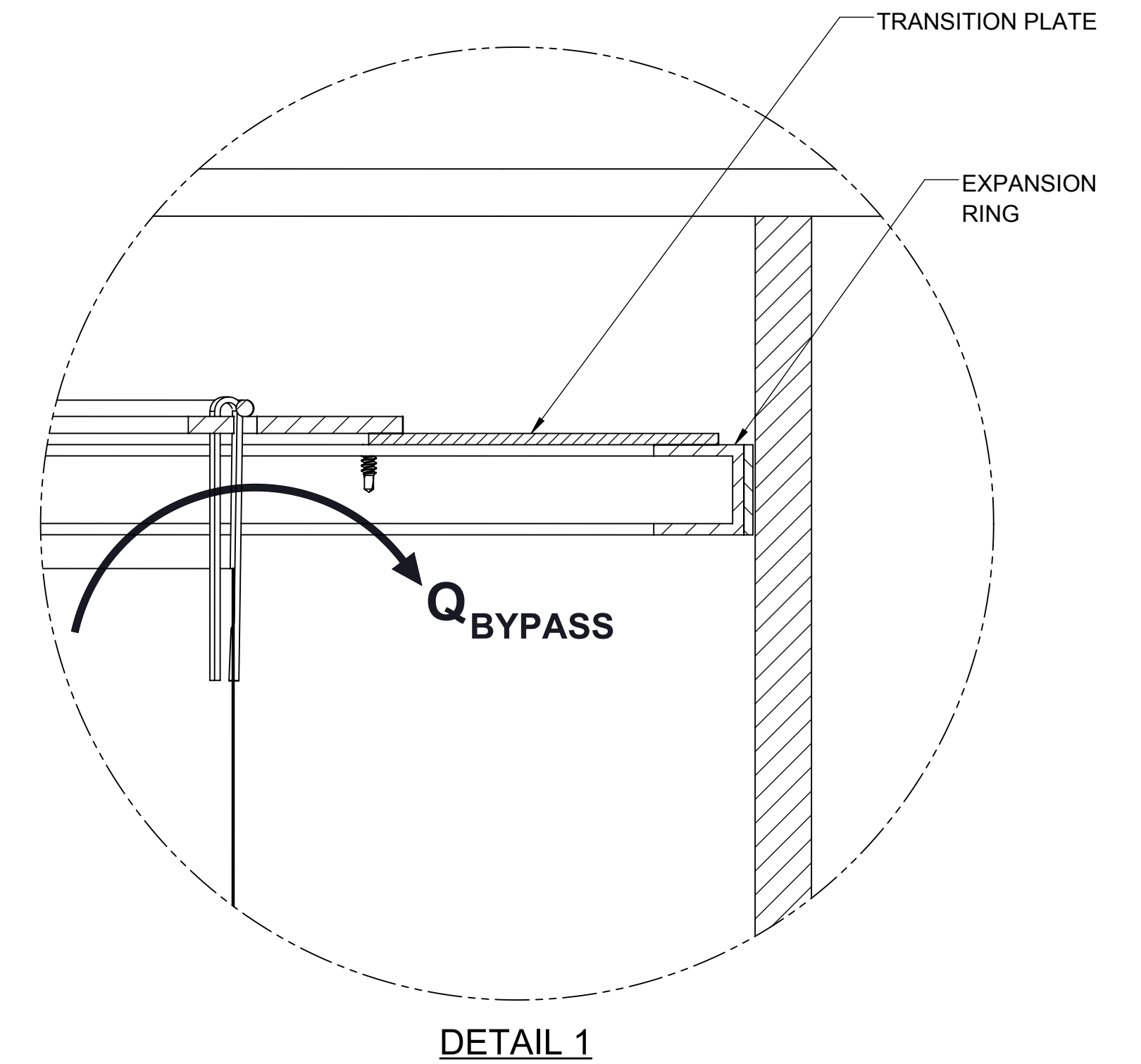
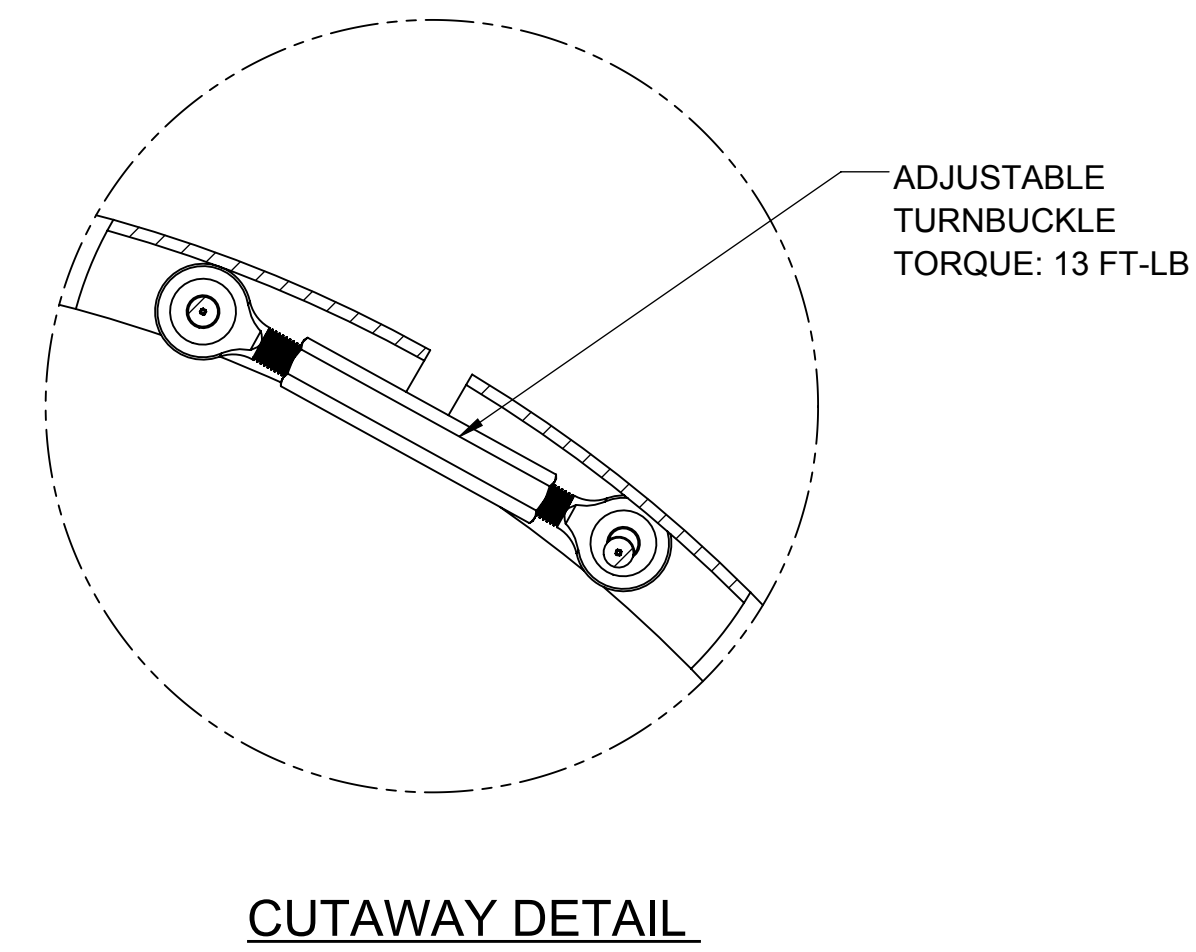
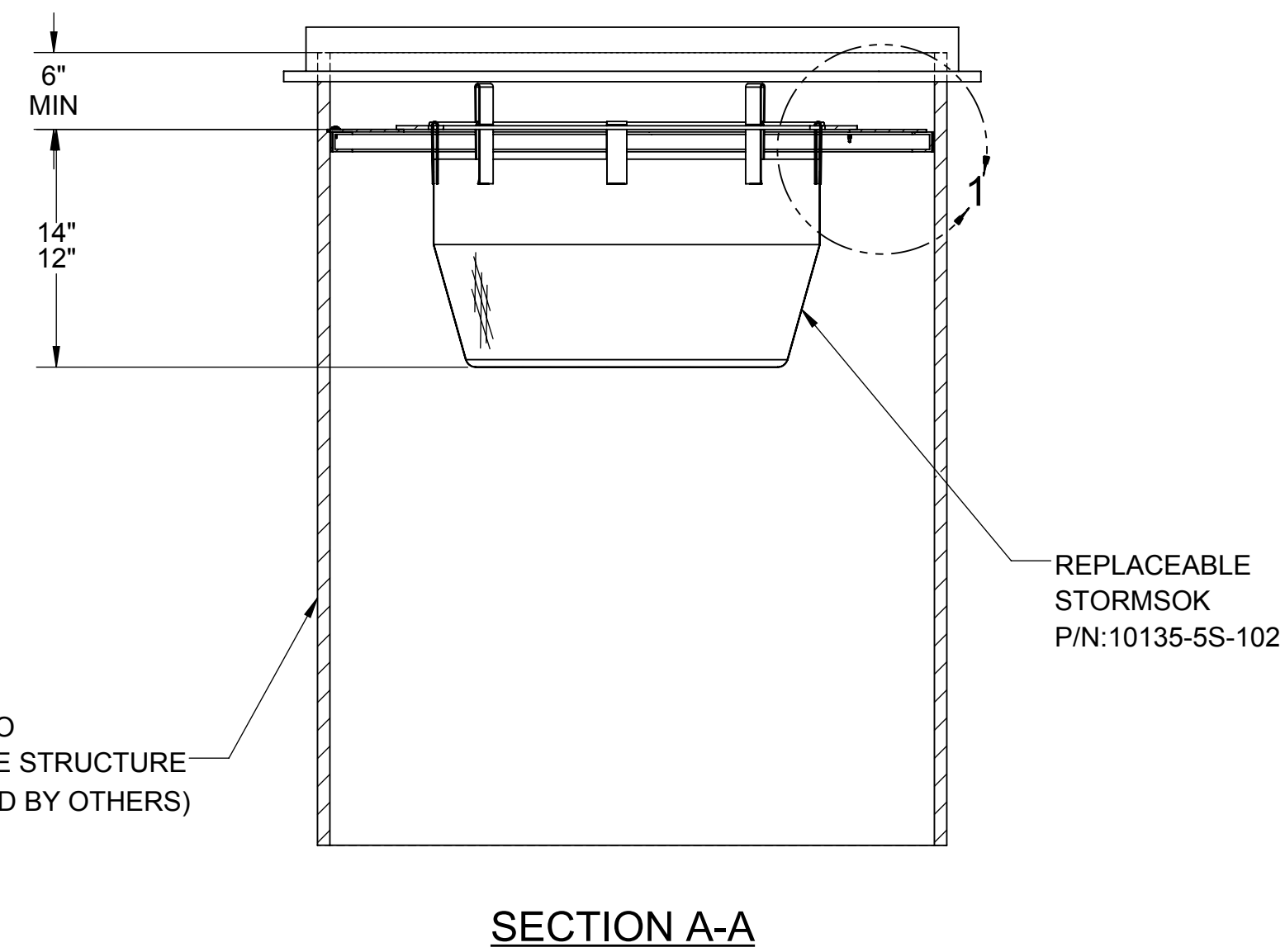


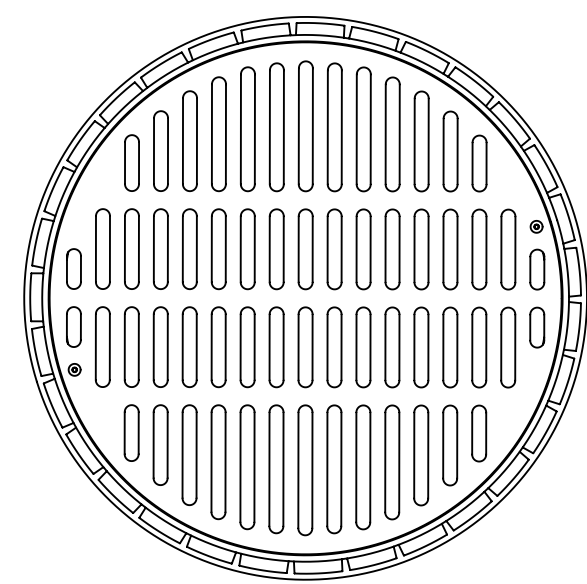
GENERAL INSTALLATION:
 ADJUST THE TURNBUCKLE DOWN TO GIVE THE SMALLEST RING DIAMETER AND LOCATE THE EXPANSION RING INTO THE HARCO STRUCTURE MINIMUM OF 6-IN DOWN FROM THE TOP OPENING AS SHOWN. BEGIN OPENING THE TURNBUCKLE UNTIL THE EXPANSION RING IS SELF SUPPORTING, THEN VERIFY THE RING IS LEVEL AND PLUMB TO THE HARCO STRUCTURE. USING A CALIBRATED TORQUE WRENCH, CONTINUE TO OPEN THE TURNBUCKLE TO 13 FT-LB (+/- 0.5 FT-LB) TORQUE. DO NOT OVER TIGHTEN. PLACE THE TRANSITION PLATE ON THE EXPANSION RING AND SECURE WITH SELF DRILLING SCREWS PROVIDED. INSTALL THE STORMSACK ASSEMBLY DIRECTLY ON THE TRANSITION PLATE.

NOTES FOR 10135-5S-500 STORMSOK ASSEMBLY AND 10101-5-000 EXPANSION RING:

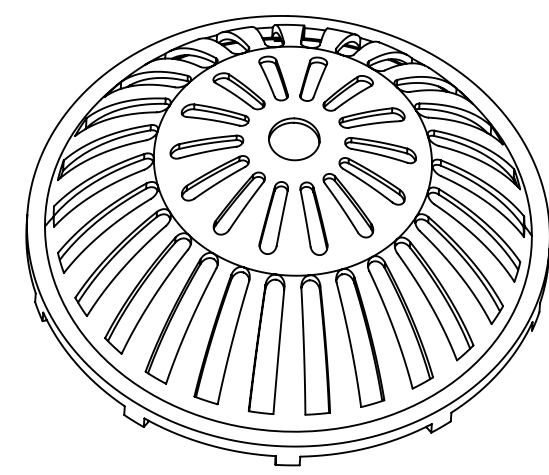
1. WEIGHT (EMPTY): 25 LB MAX
2. MATERIAL:
 - A) SUPPORT FLANGE: ALUMINUM ALLOY PLATE, 5000 SERIES
 - B) STORMSOK: WOVEN POLYPROPYLENE GEOTEXTILE
 - C) APPARENT OPENING SIZE (AOS): 20 US SIEVE (840 MICRONS)
 - D) EXPANSION RING: ALUMINUM ALLOY CHANNEL, 6000 SERIES
 - E) HARDWARE: STAINLESS STEEL
3. PERFORMANCE CHARACTERISTICS (TYP):
 - A) DEBRIS CAPACITY: 1.6 CU-FT
 - B) FILTERED FLOW RATE: 1130 GPM (2.5 CFS)
 - C) BYPASS FLOW RATE: 1077 GPM (2.4 CFS)
4. DESIGNED TO FIT HARCO 30" ROUND CASTINGS
5. RECOMMENDED MINIMUM STRUCTURE DEPTH: 2-IN BELOW STORMSOK
6. USE WITH FABCO REPLACEABLE STORMSOK, P/N: 10135-5S-102
7. DEEP (22" LONG) STORMSOKS AVAILABLE ON REQUEST
8. REPLACEABLE OIL BOOM IS AVAILABLE ON REQUEST



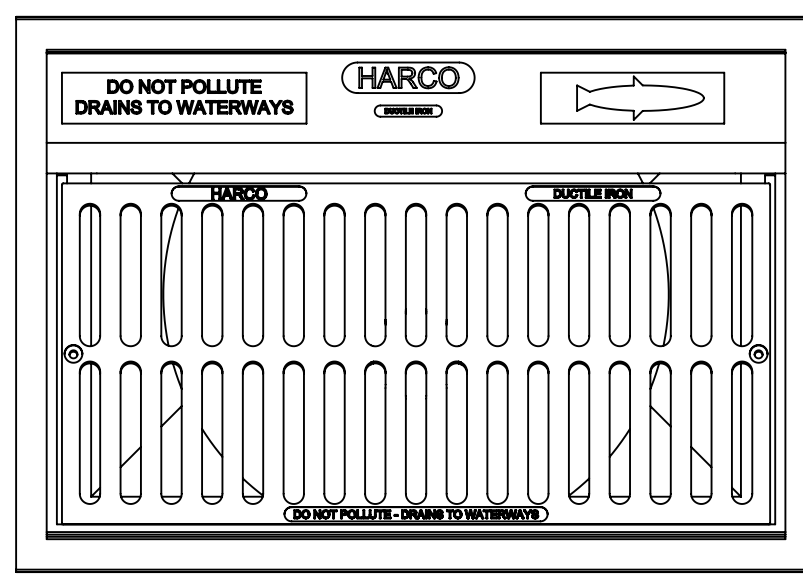
DESIGNED FOR USE WITH THE FOLLOWING CASTINGS



STORMSOK FITS ROUND
HARCO 30" GRATE



STORMSOK FITS DOME
HARCO 30" GRATE



STORMSOK FITS 2 X 3
HARCO 30" CURB INLET

PROPRIETARY AND CONFIDENTIAL
 THIS DOCUMENT IS THE PROPERTY OF FABCO INDUSTRIES AND IS CONVEYED WITH THE EXPRESS CONDITION THAT IT AND THE INFORMATION CONTAINED IN IT ARE NOT TO BE USED, DISCLOSED, OR REPRODUCED IN WHOLE OR IN PART, FOR ANY PURPOSE WITHOUT THE EXPRESS WRITTEN CONSENT OF FABCO INDUSTRIES; AND THAT NO RIGHT IS GRANTED TO DISCLOSE OR SO USE ANY INFORMATION CONTAINED IN SAID DOCUMENT.

| | |
|------------|--------------|
| PROJECT | 10135-5S-000 |
| MATERIAL | SEE NOTES |
| MODEL LINK | 10135-5S-000 |

UNLESS OTHERWISE SPECIFIED
 REMOVE ALL BURRS
 BREAK SHARP EDGES .002 - .020
 FILLETS .020 MAX
 DIMENSIONS ARE IN INCHES AND
 INCLUDE CHEMICALLY APPLIED
 OR PLATED FINISHES

| | |
|-------------|-----------------|
| TOLERANCES: | DEC .00 ± .01 |
| | DEC .000 ± .005 |
| | FRACT ± 1/16 |
| | ANGLE ± 2° |

| | |
|----------|----------|
| APPROVAL | DATE |
| DWN MS | 12/24/14 |
| CHKR JP | 12/24/14 |
| ENGR | |
| ARVD | |

FABCO INDUSTRIES, INC.
 66 CENTRAL AVENUE
 FARMINGDALE, NY 11735
 WWW.FABCO-INDUSTRIES.COM

| | |
|--|-----------------------|
| TITLE: STORMSOK AND EXTENSION RING FOR 30" ROUND HARCO STORM DRAIN | |
| SIZE: D | DWG. NO. 10135-5S-000 |
| SCALE: NONE | REV D |
| SHEET 1 OF 1 | |

