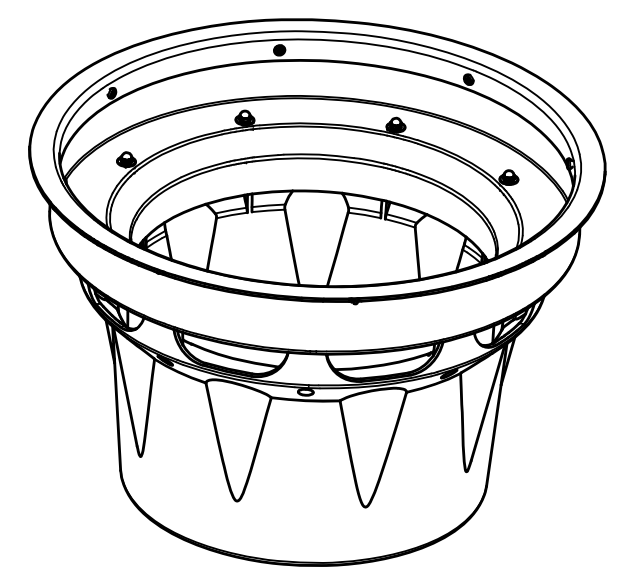
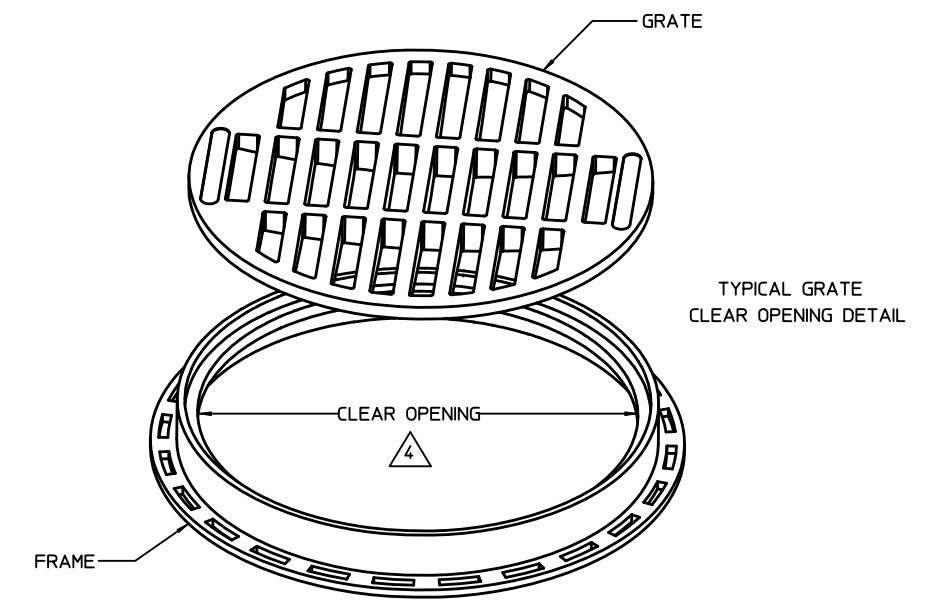
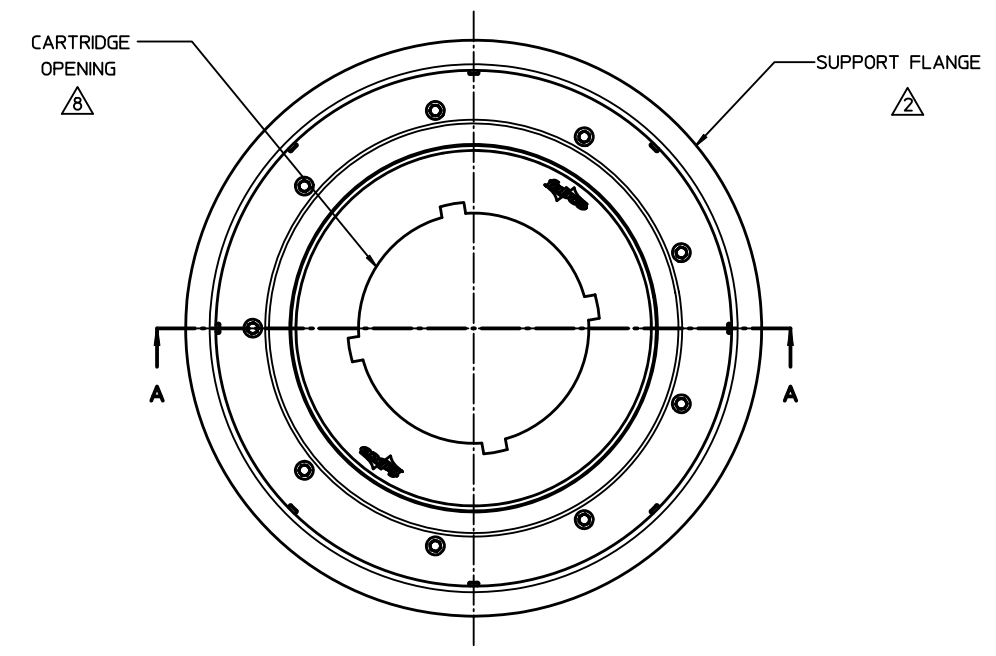


REVISIONS			
REV	DESCRIPTION	DATE	APPROVED
F	9734-1A-000_F	07/17/2013	

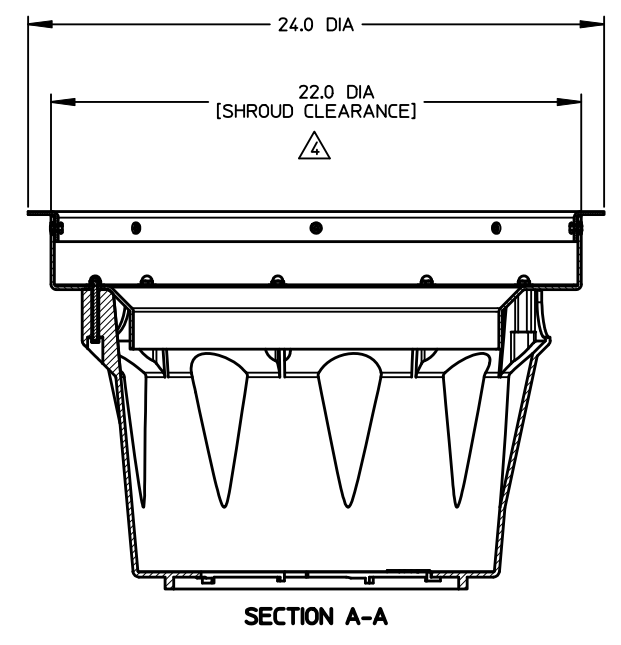
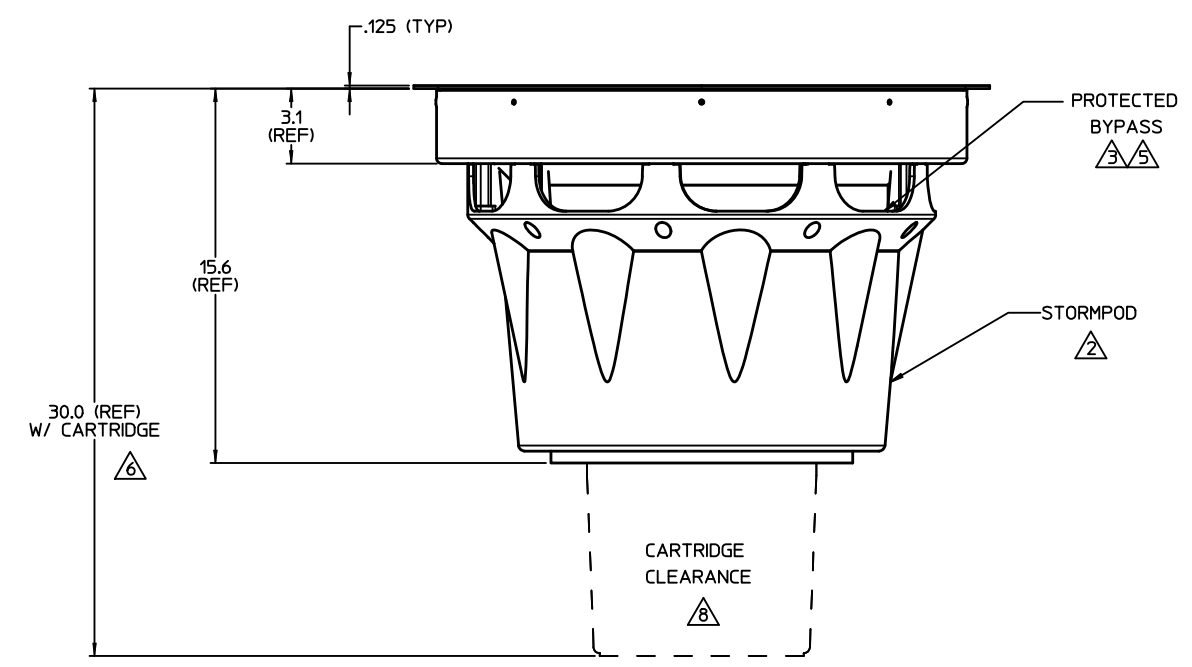
THIS DOCUMENT IS THE PROPERTY OF FABCO INDUSTRIES AND IS CONVEYED WITH THE EXPRESS CONDITION THAT IT AND THE INFORMATION CONTAINED IN IT ARE NOT TO BE USED, DISCLOSED, OR REPRODUCED IN WHOLE OR IN PART, FOR ANY PURPOSE WITHOUT THE EXPRESS WRITTEN CONSENT OF FABCO INDUSTRIES, AND THAT NO RIGHT IS GRANTED TO DISCLOSE OR SO USE ANY INFORMATION CONTAINED IN SAID DOCUMENT.

NOTES:

- WEIGHT (EMPTY): 20 LB MAX. W/O CARTRIDGE
- MATERIAL:
 - FLANGE/SHROUD: ALUMINUM ALLOY / HDPE
 - BASIN: POLYPROPYLENE POLYETHYLENE COPOLYMER
 - HARDWARE: CRES 300 SERIES
- PERFORMANCE CHARACTERISTICS (TYP):
 - DEBRIS CAPACITY: 1.9 CU FT (WITH CARTRIDGE INSTALLED)
 - FILTERED FLOW RATE (CLEAN STANDARD CARTRIDGE): 115 GPM (0.26 CFS)
 - BYPASS FLOW RATE: 920 GPM (2.0 CFS)
- MINIMUM REQUIRED CLEAR OPENING: 22.0-IN
- COVERED BYPASS PREVENTS RE-SUSPENSION OF FLOATABLES
- RECOMMENDED MINIMUM VAULT DEPTH: 2-IN BELOW CARTRIDGE
- TYPICAL INSTALLATION: REMOVE STORM GRATE, INSTALL STORMPOD DIRECTLY ON STORM GRATE SUPPORT LEDGE. REINSTALL STORM GRATE.
- USE ONLY FABCO REPLACEABLE CARTRIDGES



REFERENCE VIEW
NOT TO SCALE



SECTION A-A

NO	QTY	PART NUMBER	DESCRIPTION	REMARKS
BILL OF MATERIALS				
UNLESS OTHERWISE SPECIFIED		TOLERANCES:		
REMOVE ALL BURRS		DEC .00 ± .01		
BREAK SHARP EDGES .002 - .020		DEC .000 ± .005		
FILLETS .020 MAX		FRAC 1 ± 1/16		
DIMENSIONS ARE IN INCHES AND		ANGLE ± 2°		
INCLUDE ORIENTALLY APPLIED		Rf FINISH ✓		
OR PLATED FINISHES		DO NOT SCALE THIS DRAWING		
MATERIAL		SEE NOTES		
MODEL LINK		9734-1A_ASSY		
APPROVALS		DATE		
DWN N.NEUWIRTH		5/21/08		
CHKR				
ENGR J.PETERS		5/21/08		
APVD				
FABCO INDUSTRIES, INC.		TITLE		
66 CENTRAL AVENUE		STORM POD, 24" ROUND		
FARMINGDALE, NY 11735		SIZE		
WWW.FABCO-INDUSTRIES.COM		D 1P8A4		
		CAGE CODE DWG NO		
		1P8A4 9734-1A-000		
		REV		
		F		
		SCALE 1/4" = 1"		
		SHEET 1 OF 1		